



PRICE LIST Bar & Beverage Dispensing Equipment

Effective February 1, 2008



To Our Valued Customers

In 2007, we celebrated our 90th anniversary. It was a very special year for us. The highlight was our NAFEM show presentation. We demonstrated that a 90-year old company still has a lot of life. Here are some of the things we showed.

- A two-door back bar with two temperature zones. (See page 19)
- A compact new 15" front vented refrigerator for beer or wine storage. (Available in June)
- A variety of new beer dispensing towers. (Contact Perlick Rep.)
- A new power pak for our Century beer systems that will quick chill 38° beer to 32°. (Available in June)
- Pull out shelves for wine storage. (See pages 19 and 40)
- A new concept in underbar stainless steel design. (Available fourth quarter 2008)

- Back bar doors painted in the color of your choice. (Pages 19 thru 36)
- New full length back bar handles. These attractive pull handles make it easier to change the door swing on reversible doors. (Pages 18 thru 33)

In addition to all the revolutionary new product designs we displayed at NAFEM, we also featured the improved operating efficiency of our refrigerated products. We don't just comply with Energy Star standards, but beat them on average by 24%. That can amount to a \$200.00 per year savings per cabinet. That's big news in this era of sharply rising energy costs.

We begin our 10th decade with new products and with a renewed enthusiasm to make sure "It Pays to Prefer Perlick."

Larry Molinari

Index

Perlick Representatives	2	Custom Pass-Thru Cabinets Self Contained.....	28-29
Modular Bar System	3	Custom Pass-Thru Cabinets Remote.....	30-31
Pass-Thru Stations	4-5	Custom Cabinets (Narrow Door) Self-Contained	32-33
Underbar Cocktail Stations	6	Sliding Glass Doors/Draft Beer Dispensing Kits.....	34
Ice Chests and Ice Chest Accessories	7-8	Glass Merchandise Display	35
Drainboards, Blender Stations and Equipment Stands	9	Back Bar Coolers / One Door Cooler	36
Ice Cream Center and Storage Chests	10	Direct Draw Beer Dispensers	37
Stainless Steel Sinks with Stainless Bowls.....	11	Single Keg and Portable Beer Dispensers	38
Specialty Sinks.....	12	Single Door Freezer/Single Door Refrigerator	39-40
Storage Bins and Cabinets.....	13	Glass Frosters.....	41
Liquor Displays, Trash Recepticals and Beer Drainers	14	Flat Top Bottle Coolers	42
Corner Filler Sections and TSS Deck Assemblies.....	15	Flat Top Bottle Coolers-Low Temperature & Accessories.....	43
Filler Sections and Speedrails	16	GlassWashers and Accessories	44
Miscellaneous Underbar Accessories	17	Utility Coolers.....	45
Custom Cabinets Self-Contained Refrigeration.....	18-22	Century Remote Beer System	45
Custom Cabinets Remote Refrigeration.....	23-25	Terms and Conditions	46-47
Custom Cabinets Non-Refrigerated	26-27		



PERLICK REPRESENTATIVE LISTING

Alabama.....	33	Iowa.....	57	New Mexico.....	81	Vermont.....	12
Mobile/Baldwin Co.....	61	Kansas.....	57	New York City.....	18	Virginia.....	17
Alaska.....	84	Kentucky.....	50	New York State.....		Washington.....	84
Arizona.....	81	Pike, Letcher & Harlan.....	17	West.....	15	West Virginia.....	
Arkansas.....	60	Louisiana.....	61	Northeast.....	12	East.....	17
California.....		Maine.....	12	Southeast.....	18	West.....	50
North.....	83	Maryland.....	17	North Carolina.....	32	Wisconsin.....	54
South.....	87	Massachusetts.....	12	North Dakota.....	59	Wyoming.....	80
Colorado.....	80	Michigan.....	55	Ohio.....	50		
Connecticut.....		Western UP.....	54	Lucas Co.....	55		
East.....	12	Minnesota.....	59	Oklahoma.....	74		
West.....	18	Mississippi.....	61	Oregon.....	84		
Delaware.....	16	Desoto & Marshall Co.....	60	Pennsylvania.....			
District of Columbia.....	17	Missouri.....	57	East.....	16		
Florida.....		Montana.....		West.....	15		
Southeast.....	35	East.....	80	Rhode Island.....	12		
Northwest.....	30	West.....	84	South Carolina.....	32		
Central.....	39	Nebraska.....	57	South Dakota.....	59		
Georgia.....	31	Nevada.....		Tennessee.....			
Hawaii.....	88	Las Vegas.....	87	East.....	31		
Idaho.....	84	Reno.....	83	Central.....	33		
Illinois.....		New Hampshire.....	12	West.....	60		
North.....	53	New Jersey.....		Texas.....	74		
South.....	57	North.....	18	El Paso.....	81		
Clark, Coles, Crawford, Cumberland, Edgar & Lawrence counties.....	55	South.....	16	Utah.....	80		
Indiana.....	55						
Lake & Porter Co.....	53						

Our network of qualified specialists can provide a full range of products, services, and advice to assist you with your bar and beverage service needs. Give your Perlick Rep a call today!

- | | | | |
|---|--|--|---|
| 09 -Greenfield World Trade
Asia-Pacific, Middle East,
Africa, Sub-Continent
P: 954-202-7336
F: 954-202-7337
E-mail:sales@greenfieldworld.com | 32 - Carolina Marketing, Inc.
Lexington Office
P: 803-951-2257
F: 803-951-3347
E-mail: tomtaylor@carolinamarketinginc.com | 51 - DRC Marketing Group, Inc. -
Cleveland Office
P: 440-878-1901
F: 440-878-1839
E-mail: paul@drcmktg.com | 74 -Ettinger-Rosini & Assoc.
Dallas Office
P: 214-343-2548
F: 214-343-2727
E-mail: denny@ettros.com |
| 09 -J. Cobo
Mexico, Central America,
South America, Caribbean
P: 954-202-7336
F: 954-202-7337
E-mail:sales@jcobo.com | Carolina Marketing, Inc.
Fort Mill Office
P: 704-608-8100
F: 803-951-3347
E-mail: robducsay@carolinamarketinginc.com | 52 - DRC Marketing Group, Inc. -
Cincinnati Office
P: 513-939-3720
F: 513-939-3723
E-mail: mike@drcmktg.com | 80 - Associated Representatives, Inc.
P: 303-237-3737
F: 303-237-3799
E-mail: mark@associatedrepresentatives.com |
| 12 -David Swartz Associates
P: 508-378-2744
F: 508-378-1330
E-mail: dsarep@yahoo.com | Carolina Marketing, Inc.
Charlotte Office
P: 704-400-9806
F: 704-541-2577
E-mail: dougjones@carolinamarketinginc.com | 53 - Ed Herbst Company
P: 847-392-9797
F: 847-392-3476
E-mail: sales@herbstco.com | 81 - Total Source
P: 602-253-2188
F: 602-258-4347
E-mail: smoyer@totalsourcefdsv.com |
| 15 - James J. Greene & Associates
P: 716-836-6226
F: 716-836-4615
E-mail: axl14223@yahoo.com | 33 - Champion Marketing Group, Inc.
Birmingham Office
P: 205-960-3441
F: 205-853-6747
E-mail: waynecmg@bellsouth.net | 54 - Spoerl & Associates
P: 414-543-1190
F: 414-543-1194
E-mail: rick@spoerlassociates.com | 82 - Total Source
Santa Fe Office
P: 505-699-6370
F: 602-258-4347
E-mail: dttheobald@totalsourcefdsv.com |
| 16 - Frank R. Kessler Equip. Assoc. Inc.
P: 610-874-6011
F: 610-874-5771
E-mail: jkessinc@msn.com | 34 -Eaton Marketing Assoc., Inc.
Ocoee Office
P: 800-741-4970
F: 866-558-5521
E-mail: randy@eaton-marketing.com | 55 -Pat Fischer & Associates
P: 616-453-6277
F: 616-453-2190
E-mail: Patfischergroup@aol.com | 83 -The Smith Company, Inc.
P: 925-484-8450
F: 925-484-5568
E-mail: barman78@earthlink.net |
| 17 - Restaurant Equipment
Marketing Company, Inc.
P: 410-313-9911
F: 410-313-9191
E-mail: frankkurtz@comcast.net | 35 -Eaton Marketing Assoc., Inc.
Hollywood Office
P: 954-962-3632
F: 954-962-3632
E-mail: mcabee@eaton-marketing.com | 57 - Cowan Associates
Phone/Fax: 913-757-4455
E-mail: barassoc@peoplestelecom.net | 84 - Brittan-English
Seattle Office
P: 206-767-6475
F: 206-762-3672
E-mail: jeffb@repsnw.com |
| 18 - B.S.E. Marketing
P: 516-694-0300
F: 516-694-1234
E-mail: bse@bsemarketing.com | 39 -Eaton Marketing Assoc., Inc.
Clearwater Office
P: 727-531-0899
Toll Free: 1-800-741-4970
F: 727-531-2906
E-mail: Danny@Eaton-Marketing.com | 57 - Cowan Associates
Greater Kansas City
Phone: 913-541-0212
Fax: 913-541-1074
E-mail: cowanrep@yahoo.com | Brittan-English
Portland Office
P: 503-254-7303 / 503-239-6808
F: 503-253-4038 / 503-239-4938
E-mail: jeffe@repsnw.com |
| 29 -Eaton Marketing Assoc., Inc.
Pembroke Pines Office
P: 954-704-2165
F: 954-704-2165
E-mail: robert@eaton-marketing.com | 41 - Interbar, Ltd.
P: 011 44 8452713216
F: 011 44 8452713217
E-mail: bpither@interbar.co.uk | 59 - Johnson Commercial Agents
P: 651-686-8499
Toll Free: 1-800-676-8488
F: 651-686-7670
E-mail: tomj@jdpinc.com | 87 -Integra Marketing
P: 562-229-0404
F: 562-229-0999
E-mail: mark@integra-marketing.com |
| 30 -Eaton Marketing Assoc., Inc.
Tallahassee Office
P: 850-668-6713
F: 850-668-9322
E-mail: dellaporta@talweb.com | 42 - American Bartender
P: 011 492310877990
F: 011 49231579163
E-mail: abssysteme@t-online.de | 60 - Steffan Associates
P: 901-323-7590
F: 901-323-1880
E-mail: jls3@bellsouth.net | 88 - Angell & Associates
P: 808-373-1226
F: 808-373-1226
E-mail: rbruceangell@yahoo.com |
| 31 - Champion Marketing Group, Inc.
Canton Office
P: 678-880-0580
F: 678-880-0587
E-mail: champas@alltel.net | 50 - DRC Marketing Group, Inc.
Columbus Office
P: 614-861-2700
Toll Free: 1-877-372-5866
F: 614-367-1450
E-mail: drc@drcmktg.com | 61 - Steffan Associates
P: 985-626-4545
F: 985-626-8563
E-mail: steffanm@bellsouth.net | 92 - Bar One Systems, Inc.
P: 905-629-2990
Toll Free: 1-866-629-2990
F: 905-629-9552
E-mail: barone@posttechnologies.com |
| | | 72 - Ettinger-Rosini & Assoc.
San Antonio Office
P: 830-885-7389
Toll Free: 1-888-343-4111
F: 830-885-7390
E-mail: ettrossa@gvtc.com | 93 - Quality Bar Systems
P: 403-254-0200
F: 403-256-6538
E-mail: qualitybarsystems@shaw.ca |
| | | 73 - Ettinger-Rosini & Assoc.
Houston Office
P: 281-893-6422
Toll Free: 1-888-343-4111
F: 281-893-6123
E-mail: marlene@ettros.com | |

MODULAR BAR SYSTEM

- Pre-engineered sections up to 8½ feet assures exact fit, eliminating on-site adjustments.
- All metal construction conceals beverage and utility lines.
- Interior finish panel is adjustable for sealing to the floor.
- Set-in-place beverage line chase eliminates damage to insulated beverage lines.
- Bar front panels are easily removed for quick access to all utilities and beverage lines.
- Bar top and front panels can be prefabricated to reduce on-site millwork costs.
- Factory-installed faucet's and drain sockets.
- Optional electrical outlets and florescent lighting.



Easily Finished with Custom Millwork

Modular Bar sections are factory-joined to Perlick's underbar equipment to form bar segments up to 8½ feet long concealing beverage, electrical and plumbing lines behind stainless steel panels. Void sections for refrigerated cabinets are finished with a bartender side stainless steel panel from floor to bar top. Bar sections are easily fastened together on location and finished with contractor supplied bar top and front panels, creating a complete, sealed to the floor, customized bar.

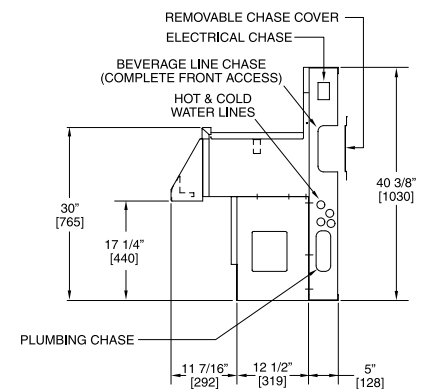
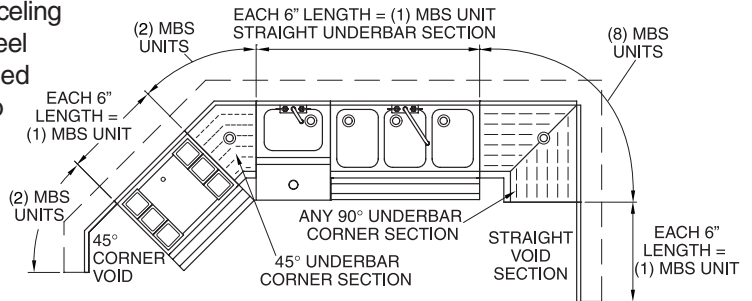
MODULAR BAR IS PRICED USING MBS UNITS

Straight Sections

- Each 6" length equals (1) MBS unit.
- Example: 48" of Modular Bar structure equals (8) MBS units.

Corner Sections

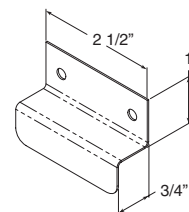
- 90° corner sections are priced using (8) MBS units.
- 60° and 75° corner sections are priced using (4) MBS units.
- 30° and 45° corner sections are priced using (2) MBS units.
- 5°, 10° and 15° corner sections are priced using (1) MBS units.



Part No	Description	List Price	Ship Wt. (LBS)
MBS6" bar structure section	\$129.00	10.0

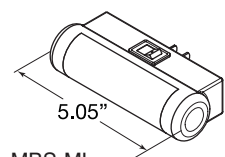
Accessories

Part No	Description	List Price
MBS-MLMini fluorescent light w/rotating plug	\$18.00
MBS-ECJunction box w/S.S. duplex cover	15.00
MBS-MTFull size foot print template (printed on durable film)	14.00/ft.
574203/4" offset customer side panel clips (24 pcs.)	113.00



57420 Offset side panel clip

PEDESTAL BASE END VIEW



MBS-ML Mini Light

NOTE: Modular bar systems are custom made and cannot be returned for credit.

PASS-THRU STATIONS

GENERAL EQUIPMENT DESCRIPTIONS:

Filler Section: 4 $\frac{1}{4}$ " x 32". Includes 2 $\frac{3}{4}$ " x 6" x 4" high stainless steel beverage chase.

Ice Chest: 24" x 32". Ice capacity = 95 pounds. Includes 8 circuit cold plate and (4) bottle wells with four-piece cover.

Dual Sink: 12" x 32". Each sink 10 $\frac{5}{8}$ " x 9 $\frac{5}{8}$ " x 6" deep. Includes deck mount faucet w/goose neck spout and (2) wet waste boxes.

Drainboard: 12" x 32". Embossed stainless steel drainboard top.

Glasswasher: 24" x 24". Cycle time = 120 seconds. Chemical controls located on bartender side.

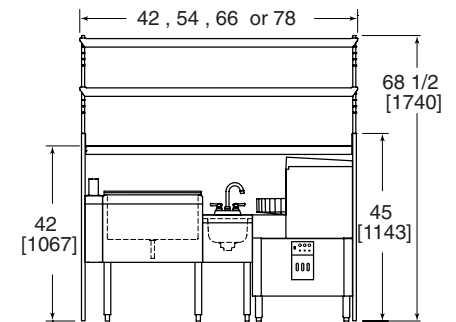
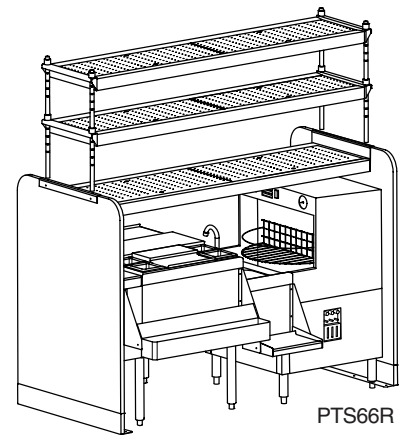
Overshelf - Fixed: 18" x length of station. Includes removable glass racks.

Overshelf - Adjustable: 15" x length of station. Includes (2) shelves with removable racks and stainless steel mounting posts.

End Panel: $\frac{7}{8}$ " x 32" x 45" high. Stainless steel with floor mounting brackets.

Accessory Group: 28" Bottle rail & 28" Hang-on bottle rail, spanning ice chest and filler section. 12" Bottle rail & 12" Hang-on bottle rail, only on units that include a drainboard. 12" Blender shelf mounted to dual sink.

NOTE: Pass-thru stations are custom made and cannot be returned for credit.

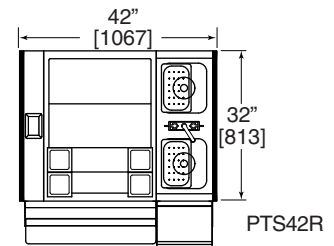
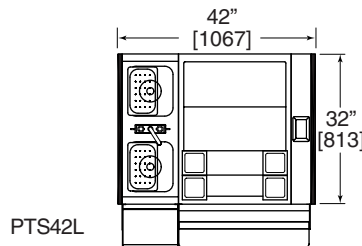


Pass-Thru Series	Filler Section	Ice Chest	Dual Sink	Drain board	Glass-washer	3 Tier Overshelf	End Panels	Accessory Group
PTS42	X	X	X			X	X	X
PTS54	X	X	X	X		X	X	X
PTS66	X	X	X		X	X	X	X
PTS78	X	X	X	X	X	X	X	X

42" Pass-Thru Stations

PTS Series

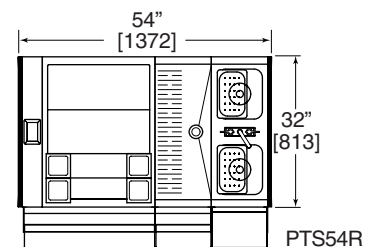
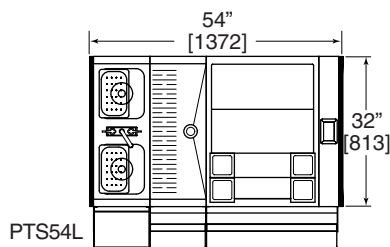
Part No.	List Price	Length	Ship Wt. (lbs.)
PTS42L.....	\$9,701.00	42"	475
PTS42R.....	9,701.00	42"	475



54" Pass-Thru Stations

PTS Series

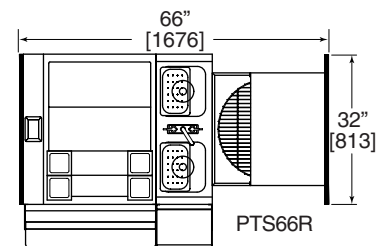
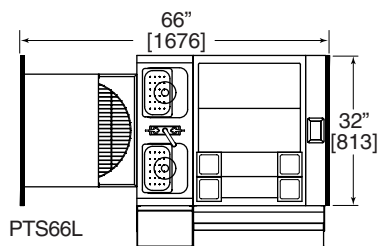
Part No.	List Price	Length	Ship Wt. (lbs.)
PTS54L.....	\$11,341.00	54"	575
PTS54R.....	11,341.00	54"	575



66" Pass-Thru Stations

PTS Series

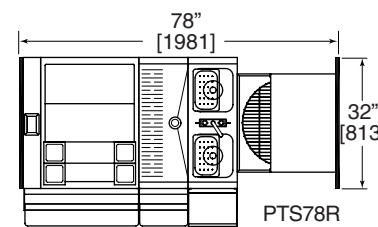
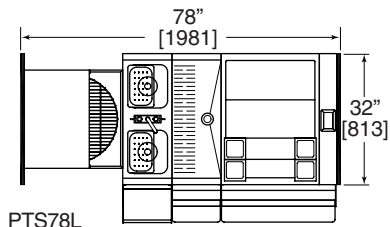
Part No.	List Price	Length	Ship Wt. (lbs.)
PTS66L.....	\$21,604.00	66"	790
PTS66R.....	21,604.00	66"	790



78" Pass-Thru Stations

PTS Series

Part No.	List Price	Length	Ship Wt. (lbs.)
PTS78L.....	\$23,279.00	78"	890
PTS78R.....	\$23,279.00	78"	890



NOTE: Pass-Thru Stations (less glasswashers) are custom made and cannot be returned for credit.



8300 West Good Hope Road • Milwaukee, WI 53223 • Phone 414-353-7060 • Fax 414-353-7069
Toll Free 800-558-5592 • E-Mail: Perlick@Perlick.com • www.Perlick.com

PASS-THRU STATIONS

Please select from the following equipment groups to custom configure your Pass-Thru Station.

GENERAL EQUIPMENT DESCRIPTIONS:

Filler Section: 4 1/4" x 32". Includes 2 3/4" x 6" x 4" high stainless steel beverage chase.

Ice Chest: 24" x 32". Ice capacity = 95 pounds. Includes 8 circuit cold plate.

Dual Sink: 12" x 32". Each sink 10 5/8" x 9 5/8" x 6" deep. Includes deck mount faucet w/goose neck spout.

Drainboard: 12" x 32". Embossed stainless steel drainboard top.

Glasswasher: 24" x 24". Cycle time = 120 seconds. Chemical controls located on bartender side.

EQUIPMENT GROUP - REQUIRED

42"			54"			66"			78"		
Part No.	List Price	Ship Wt. (lbs.)	Part No.	List Price	Ship Wt. (lbs.)	Part No.	List Price	Ship Wt. (lbs.)	Part No.	List Price	Ship Wt. (lbs.)
PTS42L-1	\$5,075.00	260	PTS54L-1	\$6,006.00	310	PTS66L-1	\$15,946.00	485	PTS78L-1	\$16,877.00	535
PTS42R-1	\$5,075.00	260	PTS54R-1	\$6,006.00	310	PTS66R-1	\$15,946.00	485	PTS78R-1	\$16,877.00	535

Refer to illustrations on previous page for equipment configurations.

EQUIPMENT GROUP OPTION - Required for Ice Chest

Part No.	Description	List Price
PTS-CV32	Ice Chest Three-piece Cover Assembly	N/C
BW4-32	Ice Chest Cover Assembly with 4 Bottle Wells	\$68.00

ACCESSORY GROUP - OPTIONAL

42"			54"			66"			78"		
Part No.	List Price	Ship Wt. (lbs.)	Part No.	List Price	Ship Wt. (lbs.)	Part No.	List Price	Ship Wt. (lbs.)	Part No.	List Price	Ship Wt. (lbs.)
PTS42-2	\$636.00	20	PTS54-2	\$864.00	25	PTS66-2	\$636.00	20	PTS78-2	\$864.00	25

42" & 66" Group: 12" Blender Shelf, 28" Bottle Rail, 28" Hang-on Bottle Rail, and (2) Wet Waste Boxes.

54" & 78" Group: 12" Blender Shelf, 12" & 28" Bottle Rails, 12" & 28" Hang-on Bottle Rails, and (2) Wet Waste Boxes.

FIXED OVERSHELF - OPTIONAL

42"			54"			66"			78"		
Part No.	List Price	Ship Wt. (lbs.)	Part No.	List Price	Ship Wt. (lbs.)	Part No.	List Price	Ship Wt. (lbs.)	Part No.	List Price	Ship Wt. (lbs.)
PTS42-3	\$826.00	50	PTS54-3	\$1,004.00	65	PTS66-3	\$1,181.00	80	PTS78-3	\$1,395.00	95

REQUIRES END PANEL OPTION. Description: 18" wide shelf with removable glass racks and end panel mounting brackets.

END PANEL OPTION - (Set of 2) Required to support Fixed Overshelf

Part No.	Description	List Price	Ship Wt. (lbs.)
PTS-EPL	7/8" x 32" x 45" high. Customer choice of laminate over wooden core	\$1,565.00	45
PTS-EPS	7/8" x 32" x 45" high. Stainless steel	\$1,683.00	50

Note - Both End Panel options include stainless steel floor coving/mounting brackets.
 PTS-FB.....Fixed overshelf mounting brackets (set of 2)N/C (Order on-lieu-of adjustable overshelves)

ADJUSTABLE OVERSHELF WITH MOUNTING POSTS - OPTIONAL

42"			54"			66"			78"		
Part No.	List Price	Ship Wt. (lbs.)	Part No.	List Price	Ship Wt. (lbs.)	Part No.	List Price	Ship Wt. (lbs.)	Part No.	List Price	Ship Wt. (lbs.)
PTS42-4	\$1,063.00	55	PTS54-4	\$1,240.00	70	PTS66-4	\$1,418.00	85	PTS78-4	\$1,594.00	100

REQUIRES FIXED OVERSHELF OPTION. Description: 15" wide shelf with removable glass racks and mounting posts.

ADDITIONAL ADJUSTABLE OVERSHELF - OPTIONAL

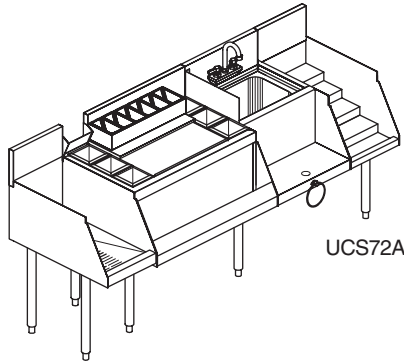
42"			54"			66"			78"		
Part No.	List Price	Ship Wt. (lbs.)	Part No.	List Price	Ship Wt. (lbs.)	Part No.	List Price	Ship Wt. (lbs.)	Part No.	List Price	Ship Wt. (lbs.)
PTS42-5	\$768.00	45	PTS54-5	\$945.00	60	PTS66-5	\$1,122.00	75	PTS78-5	\$1,300.00	90

REQUIRES ADJUSTABLE OVERSHELF OPTION. Description: 15" wide shelf with removable glass racks.

NOTE: Pass-Thru Stations (less glasswashers) are custom made and cannot be returned for credit.

UNDERBAR COCKTAIL STATIONS

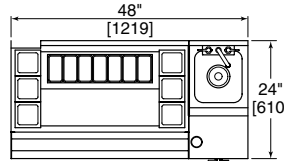
(Not Applicable on Modular Bar)



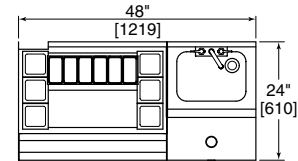
UCS72A

All units include the following accessories.

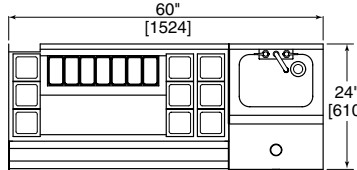
- Ice Chest with 8 circuit cold plate
- Bottle Rail - full length of Ice Chest
- Bottle Wells & Covers for Ice Chest
- Condiment Cup Rack
- Backsplash Cut-out for soda lines (located on left end of Ice Chest)
- End splash (located between Ice Chest & Blender)
- Towel Ring (located on Blender)



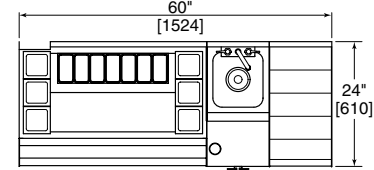
UCS48A
 • 36" Ice Chest
 • 12" Blender w/Sink



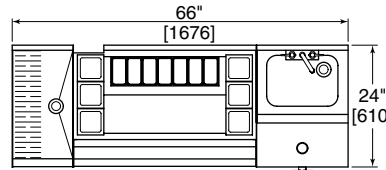
UCS48B
 • 30" Ice Chest
 • 18" Blender w/Sink



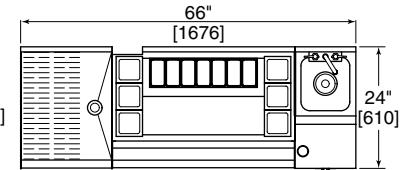
UCS60A
 • 42" Ice Chest
 • 18" Blender w/Sink



UCS60B
 • 36" Ice Chest
 • 12" Blender w/Sink
 • 12" Liquor Display



UCS66A
 • 12" Drop-Down Drainboard
 • 36" Ice Chest
 • 18" Blender w/Sink



UCS66B
 • 18" Drop-Down Drainboard
 • 36" Ice Chest
 • 12" Blender w/Sink

48" Cocktail Stations

TS Series

Part No.	List Price	Length	Ship Wt. (lbs.)
UCS48A.....	\$4,276.00	48"	250
UCS48B.....	4,241.00	48"	250

60" Cocktail Stations

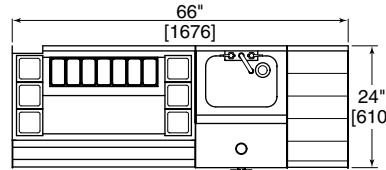
TS Series

Part No.	List Price	Length	Ship Wt. (lbs.)
UCS60A.....	\$4,511.00	60"	270
UCS60B.....	4,891.00	60"	280

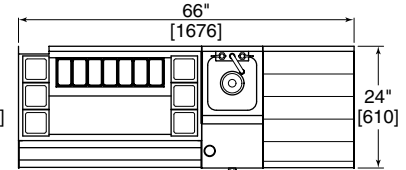
66" Cocktail Stations

TS Series

Part No.	List Price	Length	Ship Wt. (lbs.)
UCS66A.....	\$4,890.00	66"	290
UCS66B.....	4,806.00	66"	285
UCS66C.....	5,000.00	66"	290
UCS66D.....	4,957.00	66"	290



UCS66C
 • 36" Ice Chest
 • 18" Blender w/Sink
 • 12" Liquor Display

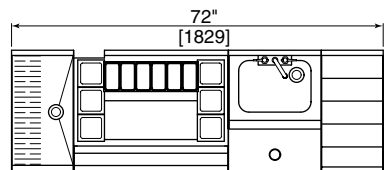


UCS66D
 • 36" Ice Chest
 • 12" Blender w/Sink
 • 18" Liquor Display

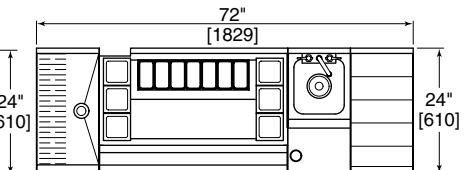
72" Cocktail Stations

TS Series

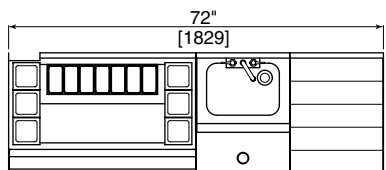
Part No.	List Price	Length	Ship Wt. (lbs.)
UCS72A.....	\$5,407.00	72"	310
UCS72B.....	5,418.00	72"	310
UCS72C.....	5,066.00	72"	300
UCS72D.....	4,916.00	72"	300



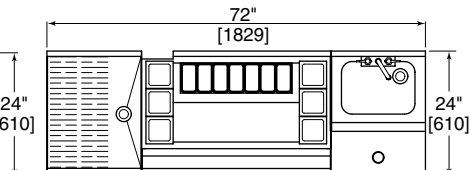
UCS72A
 • 12" Drop-Down Drainboard
 • 30" Ice Chest
 • 18" Blender w/Sink
 • 12" Liquor Display



UCS72B
 • 12" Drop-Down Drainboard
 • 36" Ice Chest
 • 12" Blender w/Sink
 • 12" Liquor Display



UCS72C
 • 36" Ice Chest
 • 18" Blender w/Sink
 • 18" Liquor Display



UCS72D
 • 18" Drop-Down Drainboard
 • 36" Ice Chest
 • 18" Blender w/Sink

NOTE: Cocktail stations are custom made and cannot be returned for credit.

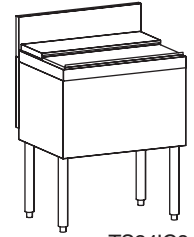


8300 West Good Hope Road • Milwaukee, WI 53223 • Phone 414-353-7060 • Fax 414-353-7069
 Toll Free 800-558-5592 • E-Mail: Perlick@Perlick.com • www.Perlick.com

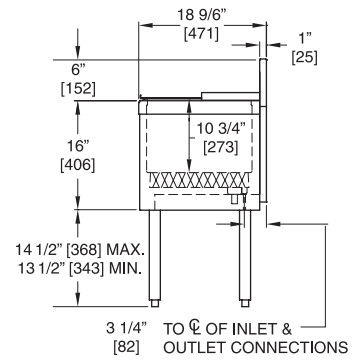
ICE CHESTS

Standard Ice Chests

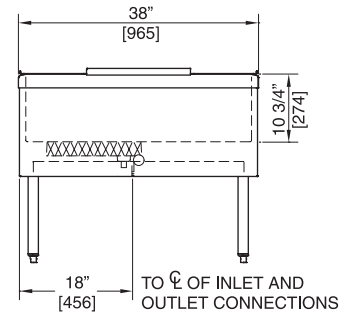
TS Series		TSD Series		TSS Series		Ice Cap.	Ship Wt.	No. of Cold
Part No.	List Price	Part No.	List Price	Part No.	List Price	(lbs.)	(lbs.)	Plate Circuits
18" Wide								
TS18IC.....	\$ 898.00	TSD18IC	\$ 940.00	TSS18IC.....	\$ 877.00	35	50	0
24" Wide								
TS24IC...\$	1,015.00	TSD24IC.\$	1,071.00	TSS24IC.....	\$ 987.00	50	60	0
TS24IC8.....	2,285.00	TSD24IC8....	2,341.00	TSS24IC8....	2,257.00	50	166	8
30" Wide								
TS30IC	1,134.00	TSD30IC.....	1,204.00	TSS30IC....	1,099.00	70	70	0
TS30IC8.....	2,402.00	TSD30IC8....	2,472.00	TSS30IC8....	2,367.00	70	191	8
36" Wide								
TS36IC	1,252.00	TSD36IC.....	1,336.00	TSS36IC.....	1,210.00	85	80	0
TS36IC8.....	2,521.00	TSD36IC8....	2,605.00	TSS36IC8....	2,479.00	85	201	8
42" Wide								
TS42IC	1,369.00	TSD42IC.....	1,467.00	TSS42IC.....	1,320.00	100	90	0
TS42IC8.....	2,640.00	TSD42IC8....	2,738.00	TSS42IC8....	2,591.00	100	211	8
48" Wide								
TS48IC	1,487.00	TSD48IC.....	1,599.00	TSS48IC.....	1,431.00	115	100	0
TS48IC8.....	2,757.00	TSD48IC8....	2,869.00	TSS48IC8....	2,701.00	115	221	8



TS24IC8



End View Standard Ice Chest

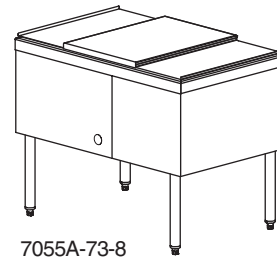


End View Thru-the-Bar Ice Chest

Thru-the-Bar Ice Chests - 24"

Part No.	List Price	Ice Capacity	Ship Wt. (lbs.)	No. of Cold Plate Circuits
7055A70.....	\$1,844.00	114	100	0
7055A73-8.....	3,113.00	114	168	8
7055A73-16*	3,969.00	114	236	16

*7055A73-16 Has Dual Cold Plates



7055A-73-8

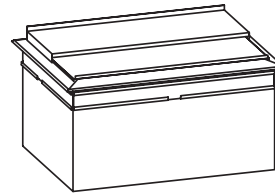
Drop-In Ice Chests

24" Wide

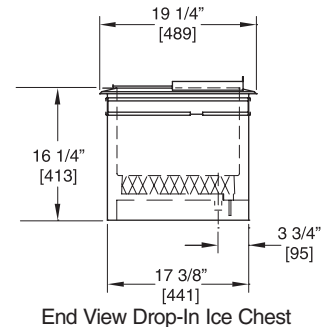
Part No.	List Price	Ice Capacity	Ship Wt. (lbs.)	No. of Cold Plate Circuits
7600A24	\$ 1,306.00	50	60	0
7600A24-8	2,576.00	50	160	8

36" Wide

7600A36	\$1,541.00	80	110	0
7600A36-8	2,812.00	80	210	8



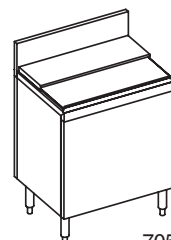
7600A36-8



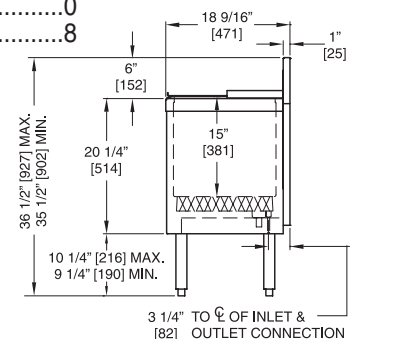
End View Drop-In Ice Chest

Extra Capacity Ice Chests - 24"

TS Series		TSD Series		TSS Series		Ice Cap.	Ship Wt.	No. of Cold
Part No.	List Price	Part No.	List Price	Part No.	List Price	(lbs.)	(lbs.)	Plate Circuits
7055A62 ...	\$1,528.00	7055AD62	\$1,584.00	7055AS62	\$1,500.00	75	100	0
7055A64-8 ..	2,797.00	7055AD64-8 ...	2,853.00	7055AS64-8	2,769.00	75	168	8



7055A62

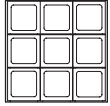
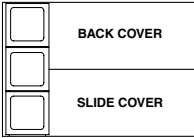
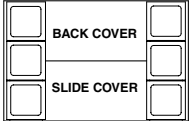
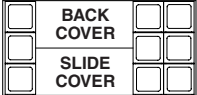
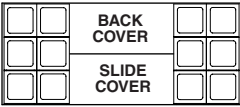
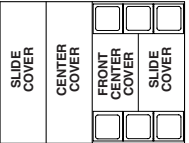


NOTE: Modules on this page, assembled to other modules are custom made and cannot be returned for credit.

ICE CHEST ACCESSORIES

BOTTLE WELL and COVER ASSEMBLIES

Price in lieu of full cover when purchased with an ice chest. For replacement prices contact Perlick, Milwaukee. Specifications: Bottle Wells are molded from black polypropylene plastic. The inside dimensions of each cup is 4" x 4" x 5 3/4" deep.

Standard	TS18IC	TS24IC(8)	TS30IC(8)	TS36IC(8)	TS42IC(8)	TS48IC(8)	
Extra Deep		7055A62/64					
Thru-the-Bar							7055A70/73
	BW9-18 \$72.00	N/A	N/A	N/A	N/A	N/A	N/A
	N/A	BW3-24 \$82.00 (CC5*)	BW3-30 \$82.00 (CC7*)	BW3-36 \$92.00 (CC7*)	N/A	N/A	N/A
	N/A	BW6-24 \$82.00 (CC4*)	BW6-30 \$92.00 (CC6*)	BW6-36 \$104.00 (CC7*)	BW6-42 \$114.00 (CC7*)	BW6-48 \$126.00 (CC7*)	N/A
	N/A	N/A	BW9-30 \$104.00 (CC4*)	BW9-36 \$114.00 (CC7*)	BW9-42 \$126.00 (CC7*)	BW9-48 \$137.00 (CC7*)	N/A
	N/A	N/A	N/A	BW12-36 \$137.00 (CC4*)	BW12-42 \$147.00 (CC6*)	BW12-48 \$159.00 (CC7*)	N/A
	N/A	N/A	N/A	N/A	N/A	N/A	BW6PT \$114.00 (CC4**)† (CC7†)

* Maximum optional Condiment Rack Applicable. Order separately below. ** Maximum optional Condiment Rack Applicable on Bartender Side. Order separately below. † Maximum optional Condiment Rack Applicable on Waitress Side. Order separately below.

CONDIMENT TRAYS

Free standing stainless steel rack. Designed for Ice Chest back cover but can be located anywhere convenient. Each plastic cup is 5 1/2" x 3" x 3" deep and holds 1 pint.

Part No.	Description	List Price
CC44 Cup condiment tray 12 1/2" long\$ 107.00
CC55 Cup condiment tray 15 3/8" long112.00
CC66 Cup condiment tray 18 1/4" long118.00
CC77 Cup condiment tray 21 1/4" long124.00

CONDIMENT BIN — CHILLED

Virtually unbreakable black plastic cabinet and translucent lid. Extra deep cabinet allows space for ice water or optional refreezable water bottles. Each plastic cup holds 1 pint.

Part No.	Description	List Price
CCB66 Cup bin 18" long\$ 140.00
CCB-RBRefreezable bottle12.00
CCB-PCPint cover5.00

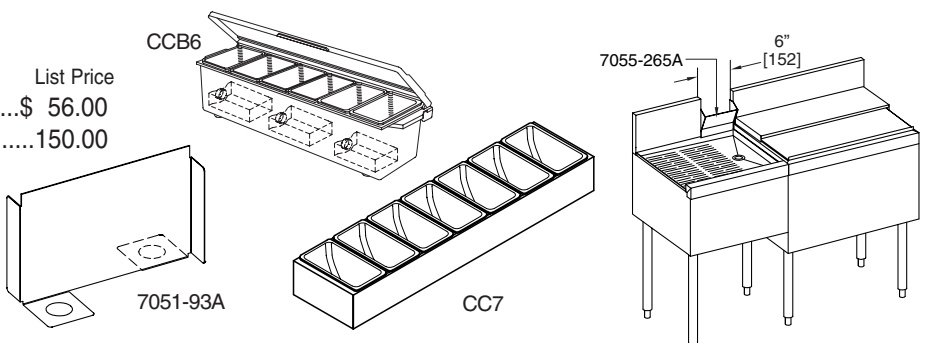
FREE-STANDING ICE DIVIDERS

Part No.	Description	List Price
7051-93AIce divider\$ 56.00
C32068For thru-the-bar ice chests150.00

BACKSPASH CUTOUT

Part No.	Description	List Price
7055-265A*For soda lines\$145.00

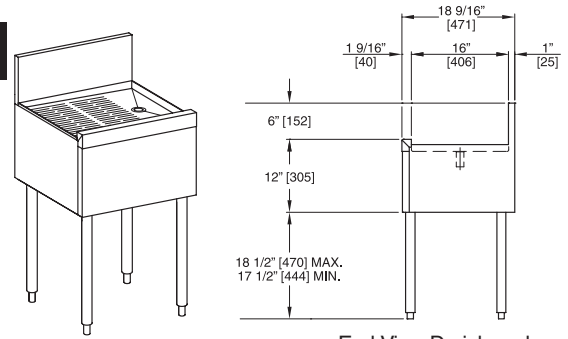
* Not applicable on TSD models.



DRAINBOARDS/BLENDER STATIONS/EQUIPMENT STANDS

Standard Drainboards

TS Series		TSD Series		TSS Series		Ship Wt.
Part No.	List Price	Part No.	List Price	Part No.	List Price	Width (lbs.)
TS12	..\$ 609.00	TSD12	..\$637.00	TSS12	..\$595.00	12"35
TS18659.00	TSD18701.00	TSS18638.00	18"40
TS24717.00	TSD24773.00	TSS24689.00	24"45
TS30773.00	TSD30843.00	TSS30738.00	30"50
TS36830.00	TSD36914.00	TSS36788.00	36"60
TS42902.00	TSD42	..1,000.00	TSS42853.00	42"90
TS48	...1,000.00	TSD48	..1,112.00	TSS48944.00	48"115

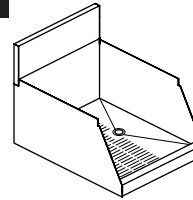


TS18

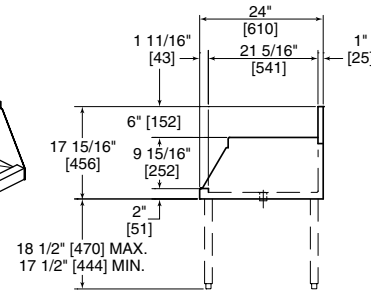
End View Drainboard

Drop-Down Drainboards

TS Series		TSS Series		Ship Wt.
Part No.	List Price	Part No.	List Price	Width (lbs.)
TS12DD	...\$544.00	TSS12DD	...\$530.00	12"30
TS18DD571.00	TSS18DD550.00	18"35
TS24DD599.00	TSS24DD571.00	24"40



TS18DD



End View Drop Down Drainboard

ACCESSORIES

Part No.	Description	List Price
7055-36APair of legs for one side\$130.00

Blender Stations

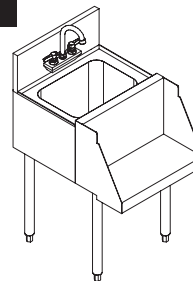
With Sink and Water Faucet

TS Series		TSD Series		TSS Series		Ship Wt.
Part No.	List Price	Part No.	List Price	Part No.	List Price	Width (lbs.)
TS12BLW	\$1,163.00	TSD12BLW	..\$1,191.00	TSS12BLW*	...\$935.00	12"50
TS14BLW	1,222.00	TSD14BLW	..1,257.00	N/A	14"55
TS18BLW	1,276.00	TSD18BLW	..1,318.00	TSS18BLW*	1,039.00	18"60

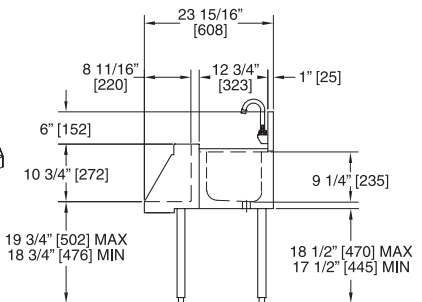
* Water faucet sold separately with TSS blender station, see page 18.

With Flat Work Surface

TS12BLD	..\$653.00	TSD12BLD	...\$681.00	TSS12BLD	...\$639.00	12"45
TS18BLD707.00	TSD18BLD749.00	TSS18BLD686.00	18"55



TS18BLW



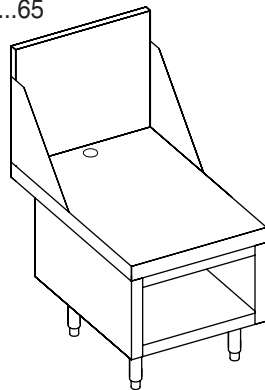
End View Blender Station w/Sink

ACCESSORIES FOR BLENDER STATIONS

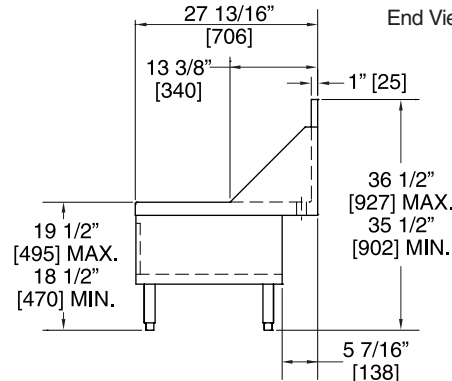
Part No.	Description	List Price
7055-52Dump box for 12BLW+14BLW Model\$ 58.00
7055-48Dump box for 18BLW Model101.00

Equipment Stands

Part No.	List Price	Length	Ship Wt. (lbs.)
ES18	...\$ 1,079.0018"45
ES241,161.0024"65



ES18



End View Equipment Stand

NOTE: Modules on this page, assembled to other modules are custom made and cannot be returned for credit.

ICE CREAM CENTER/INSULATED STORAGE CHEST

Ice Cream Center

24" Wide Cabinet with Drop-In Ice Cream Unit

Includes five year compressor warranty

TS Series		TSD Series		TSS Series		Ship Wt. (lbs.)
Part No.	List Price	Part No.	List Price	Part No.	List Price	
TS24DC	\$3,504.00	TSD24DC	\$3,560.00	TSS24DC	\$3,476.00	199

Accessories for Ice Cream Center

Part No.	Description	List Price
8005-1	5" Disher well	\$262.00
8005-2	Faucet for disher well	65.00

Drop-In Ice Cream Unit Only

Includes five year compressor warranty.

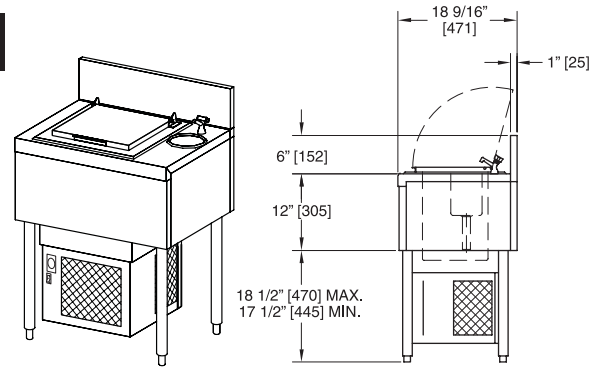
16 1/8" Wide x 16 1/8" Deep x 26 3/4" High

Part No.	Description	Ship Wt. (lbs.)	List Price
8000		114	\$2,450.00
8000-230	230 V/50Hz/CE marked	114	2,581.00

Second Year Extended Parts and Labor Warranty

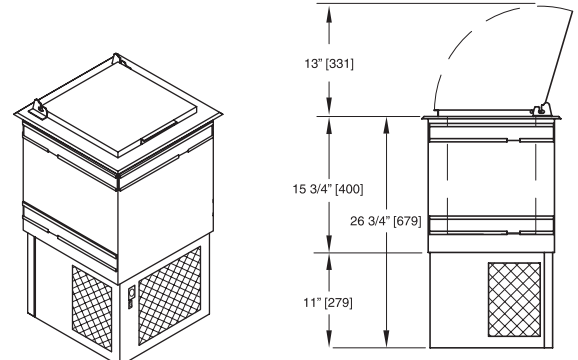
Refer to page 47 for additional information.

Part No.	Description	Net Price
730	Second year extended parts and labor warranty	\$130.00



TS24DC

End View Ice Cream Cabinet



8000

End View Drop-In Ice Cream Unit

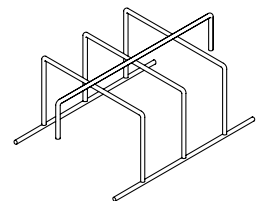
Insulated Storage Chests

6" Wide

TS Series		TSD Series		TSS Series		Description	Ship Wt. (lbs.)
Part No.	List Price	Part No.	List Price	Part No.	List Price		
TS6U	\$591.00	TSD6U	\$605.00	TSS6U	\$584.00	6" Chest	30
TS6U2	622.00	TSD6U2	636.00	TSS6U2	615.00	6" Chest w/3 bottle wells	32

12" Wide

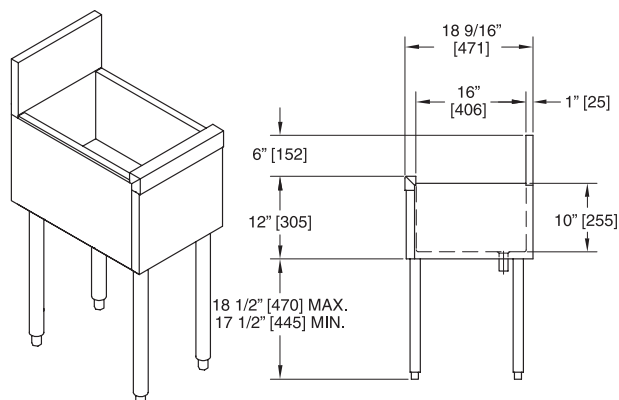
TS12U	\$740.00	TSD12U	\$768.00	TSS12U	\$726.00	12" Chest	36
TS12U2	796.00	TSD12U2	824.00	TSS12U2	782.00	12" Chest w/6 bottle wells	38
TS12U3	937.00	TSD12U3	965.00	TSS12U3	923.00	12" Chest w/8 condiment cups	38



59543-1

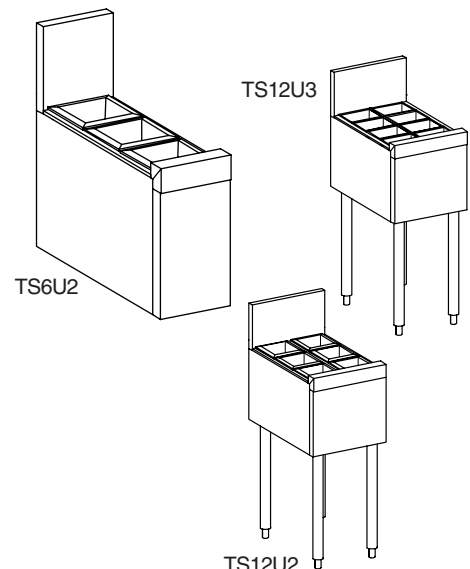
ACCESSORIES

Part No.	Description	List Price
59543-1	8 Bottle wire rack divider for TS12U	\$30.00



TS12U

End View Storage Chests



TS6U2

TS12U3

TS12U2

NOTE: Modules on this page, assembled to other modules are custom made and cannot be returned for credit.

STAINLESS STEEL SINKS with STAINLESS STEEL BOWLS

One Tank

TS Series		TSD Series		TSS Series		Overall	Tank	Drainboard	Ship Wt.
Part No.	List Price	Part No.	List Price	Part No.	List Price	Width	Location	Width	(lbs.)
TS12HS	\$1,175.00	TSD12HS	\$1,203.00	TSS12HS*	\$981.00	12"	Center	None	45

Two Tanks

TS Series		TSD Series		TSS Series		Overall	Tank	Drainboard	Ship Wt.
Part No.	List Price	Part No.	List Price	Part No.	List Price	Width	Location	Width	(lbs.)
TS22C	\$1,626.00	TSD22C	\$1,682.00	TSS22C*	\$1,403.00	2'	Center	None	65

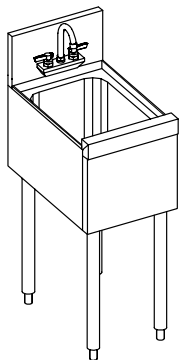
Three Tanks

TS Series		TSD Series		TSS Series		Overall	Tank	Drainboard	Ship Wt.
Part No.	List Price	Part No.	List Price	Part No.	List Price	Width	Location	Width	(lbs.)
TS33C	\$1,929.00	TSD33C	\$2,013.00	TSS33C*	\$1,686.00	3'	Center	None	95
TS43R	2,171.00	TSD43R	2,283.00	TSS43R*	1,914.00	4'	Right	12"	115
TS43L	2,171.00	TSD43L	2,283.00	TSS43L*	1,914.00	4'	Left	12"	115
TS53C	2,413.00	TSD53C	2,553.00	TSS53C*	2,142.00	5'	Center	12" ea	125
TS63C	2,530.00	TSD63C	2,712.00	N/A		6'	Center	18" ea	145
TS73C	2,646.00	TSD73C	2,842.00	N/A		7'	Center	24" ea	160
TS83C	2,764.00	TSD83C	2,988.00	N/A		8'	Center	30" ea	195

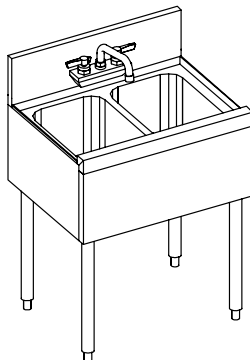
Four Tanks

TS Series		TSD Series		TSS Series		Overall	Tank	Drainboard	Ship Wt.
Part No.	List Price	Part No.	List Price	Part No.	List Price	Width	Location	Width	(lbs.)
TS44C	\$2,457.00	TSD44C	\$2,569.00	TSS44C*	\$2,164.00	4'	Center	None	125
TS64C	2,942.00	TSD64C	3,110.00	N/A		6'	Center	12" ea	150
TS74C	3,059.00	TSD74C	3,255.00	N/A		7'	Center	18" ea	165
TS84C	3,176.00	TSD84C	3,400.00	N/A		8'	Center	24" ea	200
TS94C	3,292.00	TSD94C	3,544.00	N/A		9'	Center	30" ea	220

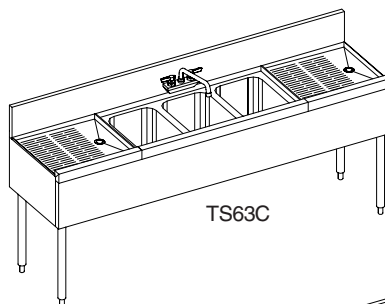
* Water faucet sold separately with TSS sinks, see page 18.



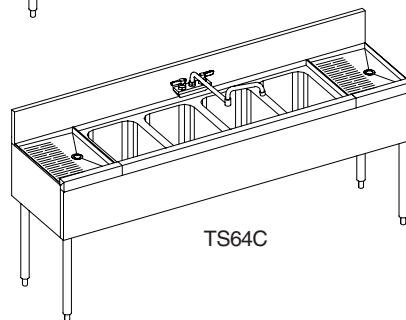
TS12HS



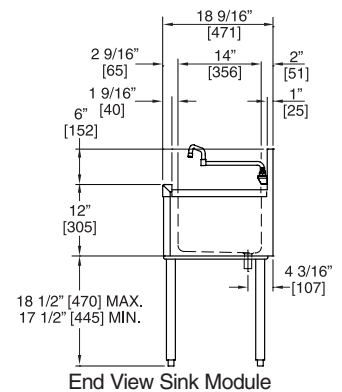
TS22C



TS63C



TS64C

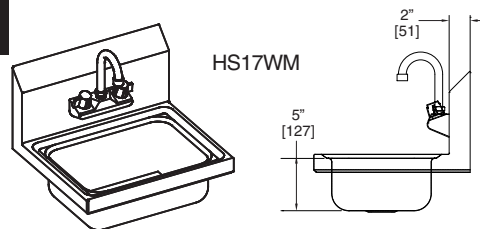


NOTE: Modules on this page, assembled to other modules are custom made and cannot be returned for credit.

SPECIALTY SINKS

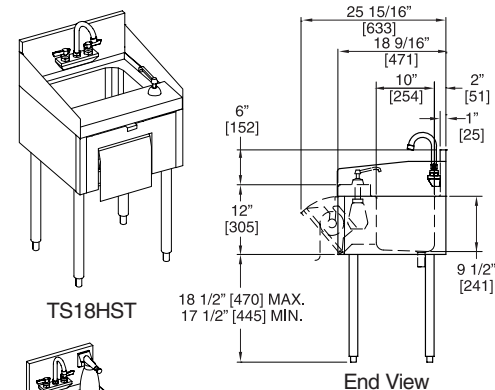
Wall Mounted Sink

Part No.	List Price	Description	Overall Width	Ship Wt. (lbs.)
HS17WM	\$344.00	Wall mount sink w/faucet	17	11



Hand Sinks with Towel Dispenser

TS Series		TSD Series		Overall Width	Towel Type	Ship Wt. (lbs.)
Part No.	List Price	Part No.	List Price			
TS18HST	\$1,692.00	TSD18HST	\$1,734.00	18"	Rolled	60
TS18HSN	1,692.00	TSD18HSN	1,734.00	18"	Folded	60
TS12HSN	1,444.00	N/A		12"	Folded	50



ACCESSORIES for SINKS

Automatic Faucet Controller - Make your faucet "hands-free"

Mounts on any faucet in minutes. Simply remove the aerator and install controller to end of spout (supplied with universal adapters). Set the faucet handles to your desired water flow and temperature, and these systems are ready to work.

This mechanical control offers both automatic self-closing and a "hands-free" full-on position. Constructed from brass and stainless steel with an anti-microbial coating on lever.

Part No.	Description	List Price
UAC-HWFC	Faucet control, mechanical	\$66.00

Non-Perforated Sink Dump Box - Drains into standpipe

Part No.	Description	List Price
7055A46	For sink without faucet	\$101.00

Sink Dump Box with Perforated Bottom and Sides

7055-48	For sink with or without faucet	\$101.00
---------	---------------------------------	----------

Sink Dump Box with Perforated Bottom

UAC-WWB	ABS plastic	\$89.00
---------	-------------	---------

Perforated Cover - Converts Sink to Drainboard

Part No.	Description	List Price
C30872-1	For single tank (TS12HS)	\$ 98.00
C30874-1	For two tanks (TS22C)	121.00

Dispenser for Folded Towels

Part No.	Description	List Price
7055-270R	Field installed	\$148.00
7055-270	Factory installed	223.00

Drain Assemblies

Part No.	Description	List Price
202PVC	Two tank	\$37.00
26482PVC	Three tank	58.00
26483PVC	Four tank	97.00

Soap Dispenser*

Part No.	Description	List Price
7055-269AR	Field installed	\$ 94.00
7055-269A	Factory installed	125.00

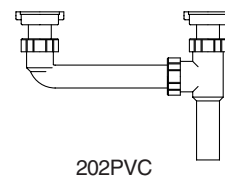
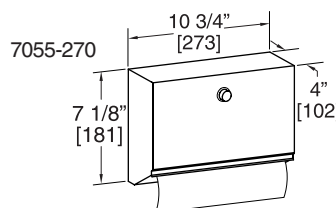
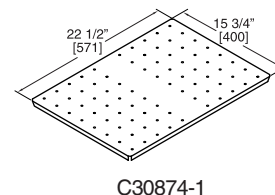
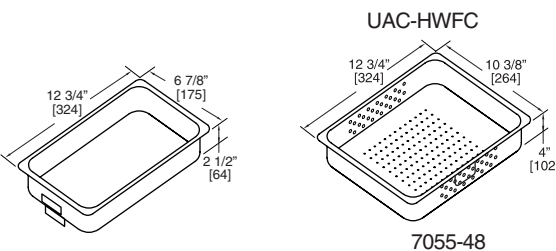
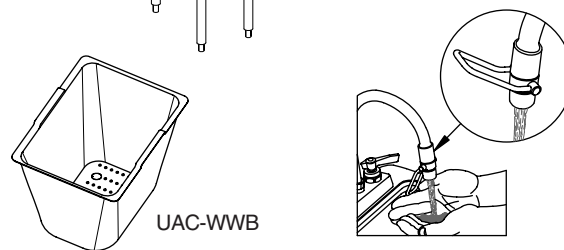
*Note: Cannot be used on TSD series underbar.

Waste Blade Handles, Pair*

Part No.	Description	List Price
43705	Field installed	\$67.00

*Note: Cannot be used on TS12HSN hand sink.

NOTE: Modules on this page, assembled to other modules are custom made and cannot be returned for credit.



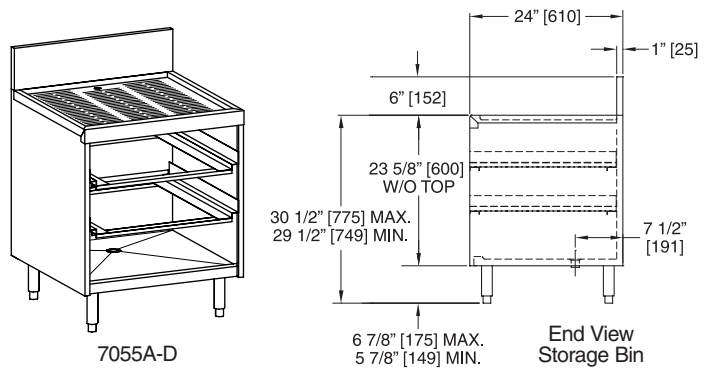
STORAGE BINS & CABINETS

Storage Bins for Glassware

Part No.	List Price	Description	Length	Ship Wt. (lbs.)
7055A	\$ 1,026.00	Without top	24"	40
7055A-D	1,439.00	With drainboard top & 2 glass rack slides	24"	65"

ACCESSORIES

Part No.	Description	List Price
7055A5	Drainboard top	\$256.00
7055-6	Stainless steel stationary shelf	114.00
7055-7	Glass rack slide - stationary	88.00
7055-10	Slanted liquor bracket	223.00
7055-77	Glass rack tray - roll out	294.00

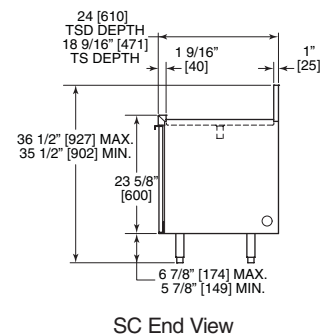
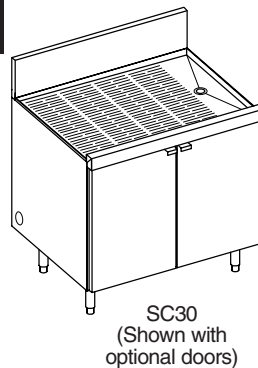


Storage Cabinets with Full Drainboard Top ("TSD" Depth)

Less Doors (includes one shelf)

Part No.	List Price	Length	Ship Wt. (lbs.)
SC12*	\$ 1,049.00	12"	30
SC18*	1,117.00	18"	40
SC24*	1,229.00	24"	65
SC30*	1,365.00	30"	80
SC36	1,553.00	36"	100
SC48	1,847.00	48"	125

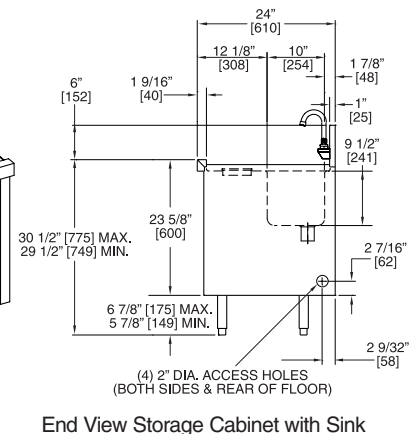
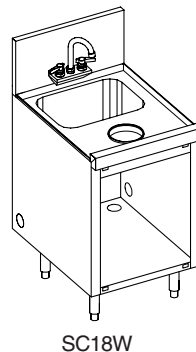
* Can be factory assembled to SC18W. Specify left or right location of sink cabinet.



Storage Cabinets with Full Drainboard Top ("TS" Depth)

Less Doors (includes one shelf)

Part No.	List Price	Length	Ship Wt. (lbs.)
SC12-18	\$ 1,027.00	12"	24
SC18-18	1,095.00	18"	32
SC24-18	1,205.00	24"	52
SC30-18	1,342.00	30"	64
SC36-18	1,530.00	36"	80
SC48-18	1,824.00	48"	100



Storage Cabinets with Rinse Tank and Waste Chute

Less Door and Shelf

Part No.	List Price	Length	Ship Wt. (lbs.)
SC18W*	\$1,674.00	18"	50

* Can be factory assembled to SC12, SC18, SC24 and SC30. Specify left or right location of sink cabinet.

ACCESSORIES for STORAGE CABINETS

Factory Installed Doors*

Part No.	Description	List Price
SC-DR12	Door, 12" (Specify left or right hinging)	\$206.00
SC-DR18	Door, 18" (Specify left or right hinging)	254.00
SC-DR24	Door, 24" (Specify left or right hinging)	289.00
SC-DR30	Door set for 30" cabinet	406.00
SC-DR36	Door set for 36" cabinet	508.00

SC-DR48Door set for 48" cabinet576.00

SC-DRLK.....Door lock (per door)25.00

*Add "R" suffix for field installed.

Miscellaneous

Part No.	Description	List Price
SC-WB	Wastebasket, plastic (14 1/2"x10"x15")	\$ 22.00
SC-ES	End splash (specify left or right location)	114.00

NOTE: Modules on this page, assembled to other modules are custom made and cannot be returned for credit.

LIQUOR DISPLAY/TRASH RECEPTACLE/BEER DRAINER

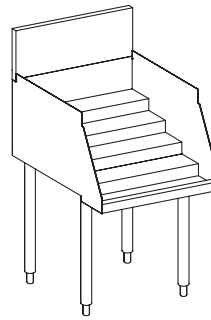
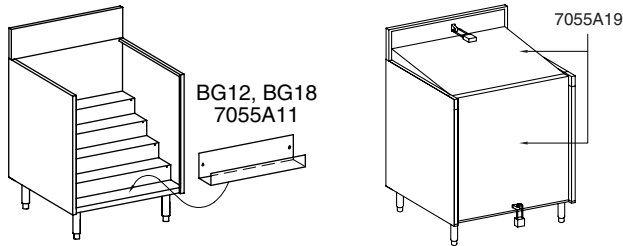
Liquor Display Cabinet

Part No.	List Price	Length	Ship Wt (lbs.)
TS12LS	\$ 658.00	12"	30
TS18LS	726.00	18"	40
7055A3	1,031.00	24"	40

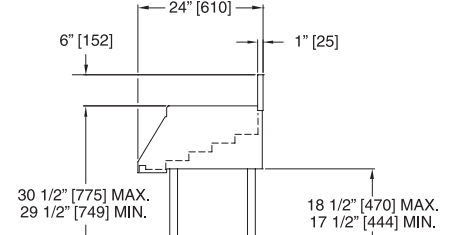
ACCESSORIES

Part No.	Description	List Price
BG12	Bottle guardrail set for TS12LS	\$ 93.00
BG18	Bottle guardrail set for TS18LS	102.00
7055A19*	*Two-piece locking cover for 7055A3	470.00
7055A11	Bottle guardrail set for 7055A3	114.00

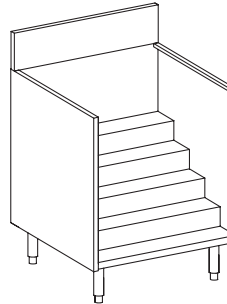
*Factory installed only.



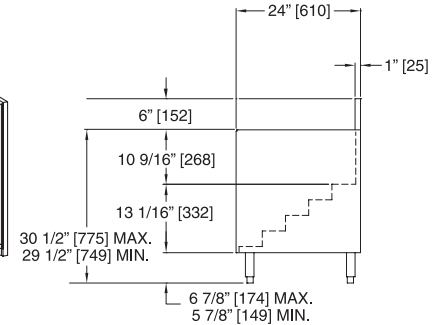
TS18LS



End View
18" Liquor Display



7055A3



End View
24" Liquor Display

Trash Receptacle and Cutouts

12" Wide Requires adjacent support on both sides.

Part No.	List Price	Description	Ship Wt. (lbs.)
TS12TRA	\$966.00	12" TS Trash receptacle*	35

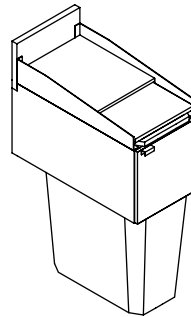
* Includes Rubbermaid Plastic Trash Can

12" APRON CUTOUT for TRASH RECEPTACLE (by others)

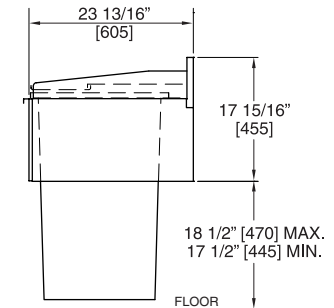
Part No.	Description	List Price
TR12CO*	12" Trash cut-out	\$387.00

* Specify left or right location

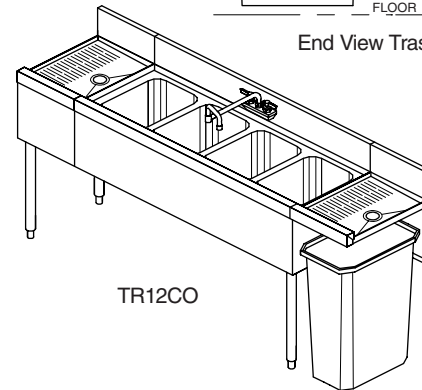
Note: 12" to 30" drainboards require adjacent support on each end of drainboard.



TS12TRA



End View Trash Receptical



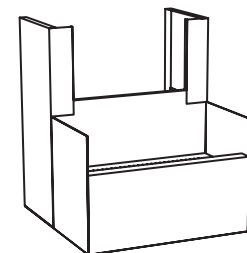
TR12CO

Underbar Beer Drainer

TS Series		TSD Series		Description	Ship Wt. (lbs.)
Part No.	List Price	Part No.	List Price		
7055A8	\$858.00	7055D8	\$ 940.00	18" drainer for 4 faucets	30
7055A9	930.00	7055D9	1,012.00	24" drainer for 6 faucets	40

ACCESSORIES

63262	Leg Kit for above	\$67.00
-------	-------------------	---------



7055D8

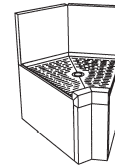


CORNER FILLER SECTIONS/TSS DECK ASSEMBLIES

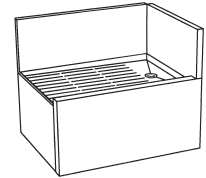
Corner Filler Sections with Drainboard Top

Inside Corners

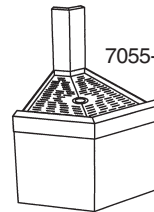
TS Series		TSD Series		Description	Ship Wt. (lbs.)
Part No.	List Price	Part No.	List Price		
7055-152*	776.00	7055D152*	\$878.00	45° Corner	45
7055-160*	961.00	N/A		90° Full Corner	55
7055-162*	990.00	N/A		90° Clip Corner	50
TS24LIC†	797.00	TSD24LIC†	870.00	90° Left Corner	50
TS24RIC†	797.00	TSD24RIC†	870.00	90° Right Corner	50
TS90TC†	896.00	TSD90TC†	990.00	90° Trim Corner	50



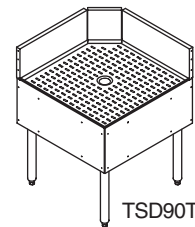
7055-152



TS24RIC



7055-153



TSD90TC

Outside Corner

7055-153*	776.00	7055D153*	878.00	45° Corner	45
-----------	--------	-----------	--------	------------	----

† Legs included.

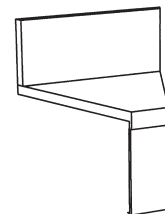
ACCESSORIES For Corner Filler Sections with Drainboard Top

Part No.	Description	List Price
*63555	Pair of legs for one side	\$121.00

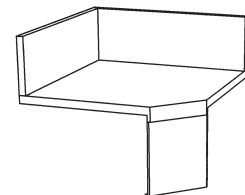
Corner Filler Sections with Flat Top

Inside Corners

TS Series		TSD Series		Description	Ship Wt. (lbs.)
Part No.	List Price	Part No.	List Price		
7055-12	\$417.00	7055D12	\$537.00	90° Full Corner	20
7055-13	332.00	7055D13	452.00	90° Clip Corner	20
7055-14	307.00	N/A		60° Clip Corner	14
7055-15	295.00	7055D15	342.00	45° Clip Corner	12
7055-16	284.00	7055D16	330.00	30° Clip Corner	10
7055-17	272.00	7055D17	318.00	15° Clip Corner	6
7055-18	319.00	N/A		75° Clip Corner	16
7055-1	248.00	7055D1	294.00	5° Clip Corner	4
7055-3	260.00	7055D3	306.00	10° Clip Corner	5



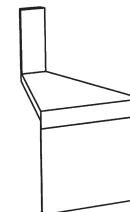
7055-15



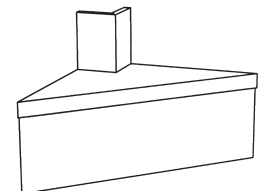
7055-12

Outside Corners

7055-20	\$381.00	7055D20	\$427.00	90° Full Corner	20
7055-21	307.00	N/A		60° Clip Corner	14
7055-22	295.00	7055D22	342.00	45° Clip Corner	12
7055-23	284.00	7055D23	330.00	30° Clip Corner	10
7055-24	272.00	7055D24	318.00	15° Clip Corner	6



7055-23



7055-20

ACCESSORIES for Corner Filler Sections with Flat Top

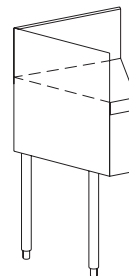
Leg and End Splash Assembly

Part No.	Description	List Price
7054L1*	Left end	\$413.00
7054R1*	Right end	413.00

Leg and End Panel Assembly

7054L9*	Left end	269.00
7054R9*	Right end	269.00

* Not applicable on 7055D series corner fillers.

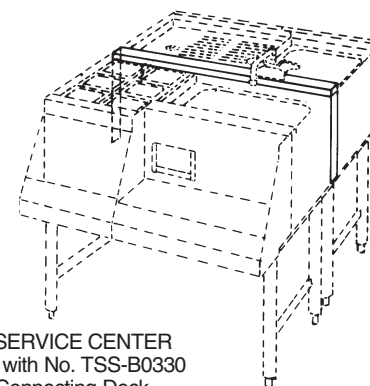


7054L1

TSS 3" Deck Assemblies

Joins TSS modules to form back-to-back service centers.
Water faucet sold separately, see page 18.

Part No.	List Price	Description	Ship Wt. (lbs.)
TSS-B0312	\$ 585.00	12" Deck	10
TSS-B0318	641.00	18" Deck	11
TSS-B0324	701.00	24" Deck	12
TSS-B0330	760.00	30" Deck	13
TSS-B0336	816.00	36" Deck	14
TSS-B0342	873.00	42" Deck	15
TSS-B0348	922.00	48" Deck	16
TSS-B0354	987.00	54" Deck	17
TSS-B0360	1,047.00	60" Deck	18



TSS SERVICE CENTER
formed with No. TSS-B0330
3" Connecting Deck

FILLER SECTIONS AND SPEEDRAILS

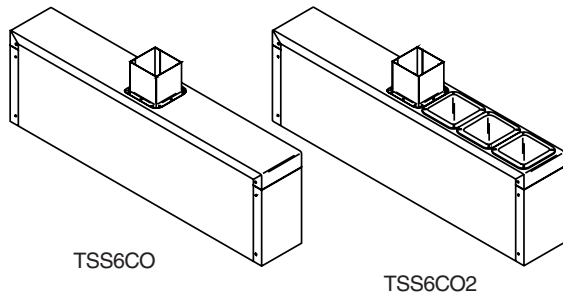
6" Filler Sections

TS Series		TSD Series		TSS Series		Description	Ship Wt. (lbs.)
Part No.	List Price	Part No.	List Price	Part No.	List Price		
TS6FA\$340.00	TSD6FA\$355.00	TSS6FA\$333.00	With flat top	18
TS6CO340.00	N/A	TSS6CO437.00	With access cutout & flat top	20
TS6CO2	...629.00	N/A	N/A	Access Cutout & 2 bottle wells	25
N/A	N/A	TSS6CO2	...467.00	Access Cutout & 3 bottle wells	30

ACCESSORIES

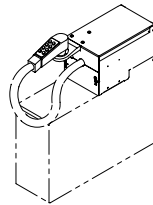
Part No.	Description	List Price
7055-66	Chase for TS6CO\$140.00
7055-74	Chase for TS6CO2140.00
7055-68	Stainless steel backsplash70.00
7055-66SG*	Soda gun holder for TS6CO322.00

* Applicable for most 8 & 10 button soda manifolds.

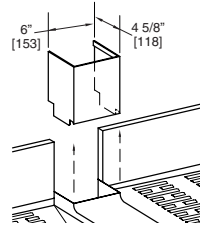


TS6CO

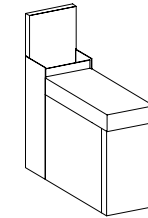
TSS6CO2



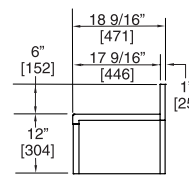
7055-66SG



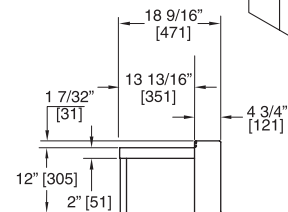
TS6CO w/7055-66 Backsplash Chase



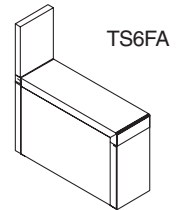
TS6CO w/7055-68 Backsplash



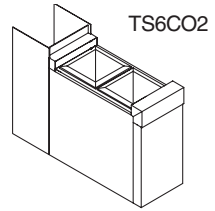
End View TS6FA



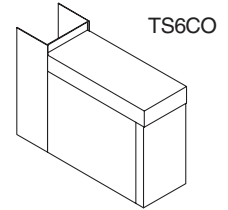
End View TS6CO



TS6FA



TS6CO2



TS6CO

Speed Rails

STANDARD SPEED RAILS*

Length	Part No.	List Price
12"	SR-S12\$138.00
18"	SR-S18148.00
24"	SR-S24162.00
28"	SR-S28166.00
30"	SR-S30172.00
36"	SR-S36184.00
42"	SR-S42197.00
48"	SR-S48208.00
54"	SR-S54219.00
60"	SR-S60234.00
66"	SR-S66245.00
72"	SR-S72256.00
78"	SR-S78269.00
84"	SR-S84281.00
90"	SR-S90293.00
96"	SR-S96305.00

*Add "R" suffix for field installed.

LOCKING SPEED RAILS*

Length	Part No.	List Price
18"	SR-SL18\$700.00
24"	SR-SL24728.00
30"	SR-SL30769.00
36"	SR-SL36807.00
42"	SR-SL42856.00
48"	SR-SL48898.00

*Add "R" suffix for field installed.

HANG ON SPEED RAILS*

To use with locking speedrail, add suffix N to part number and \$116.00 to list price.

Length	Part No.	List Price
12"	SR-H12\$90.00
18"	SR-H18114.00
24"	SR-H24125.00
28"	SR-H28131.00
30"	SR-H30142.00
36"	SR-H36158.00

*Add "R" suffix for field installed.

DUAL SPEED RAILS*

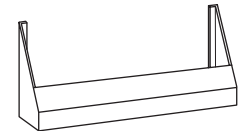
Length	Part No.	List Price
12"	SR-D12\$206.00
18"	SR-D18240.00
24"	SR-D24264.00
28"	SR-D28274.00
30"	SR-D30292.00
36"	SR-D36318.00
42"	SR-D42357.00
48"	SR-D48394.00

*Add "R" suffix for field installed.

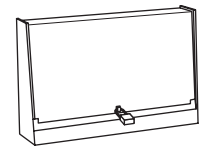
DUAL LOCKING SPEED RAILS*

Length	Part No.	List Price
18"	SR-DL18\$842.00
24"	SR-DL24869.00
30"	SR-DL30910.00
36"	SR-DL36949.00

*Add "R" suffix for field installed.



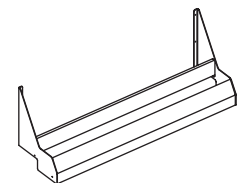
Standard Speed Rail



Locking Speed Rail



Hang On Speed Rail



Dual Speed Rail

NOTE: Modules on this page, assembled to other modules are custom made and cannot be returned for credit.



8300 West Good Hope Road • Milwaukee, WI 53223 • Phone 414-353-7060 • Fax 414-353-7069
Toll Free 800-558-5592 • E-Mail: Perlick@Perlick.com • www.Perlick.com

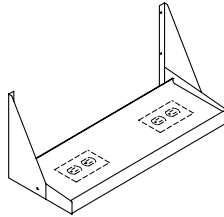
ACCESSORIES

Waste Receptacle (Installs in speed rail)

Part No.	Description	List Price
7055-40A	Bin, chute & opener	\$381.00
7055-43	Chute & bottle opener only	200.00

Blender Shelves

Part No.	Description	List Price
7055-121	8" w/1 outlet	\$187.00
7055-118	12" w/1 outlet	223.00
7055-119	18" w/2 outlets	257.00
7055-124	24" w/2 outlets	293.00
7055-130	30" w/2 outlets	329.00



Stainless Steel Bottle Opener & Cap Receiver

Part No.	Description	List Price
7055-50	For field installation	\$ 94.00
7055-50IN	Factory installed	125.00

Towel Ring

Part No.	Description	List Price
736B	For Field installation	\$34.00
736BIN	Factory installed	53.00



6" End Splash Guards for TS or TSD Series

Part No.	Description	List Price
7054R	Right end	\$114.00
7054L	Left end	114.00

6" x 38" End Splash Guards For TSS Series

Part No.	Description	List Price
7054SR	Right end splash	\$168.00
7054SL	Left end splash	168.00

Stainless Steel Back Apron (In lieu of TS backsplash)

Part No.	Description	List Price
7055-282	12" no backsplash	\$209.00
7055-283	18" no backsplash	217.00
7055-284	24" no backsplash	235.00
7055-285	30" no backsplash	243.00
7055-286	36" no backsplash	249.00

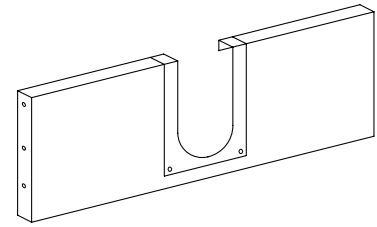
NOTE: Not applicable on ice chests or items w/faucets.

Deck-Mounted Water Faucets for TSD/TSS Series

Part No.	Description	List Price
926GN	Goose neck faucet for 1 tank sink	\$216.00
926-6	6" swing faucet for 2 tank sink	234.00
926-10	10" swing faucet for 3 tank sink	243.00
926DJ	Double jointed faucet for 4 tank sink	285.00

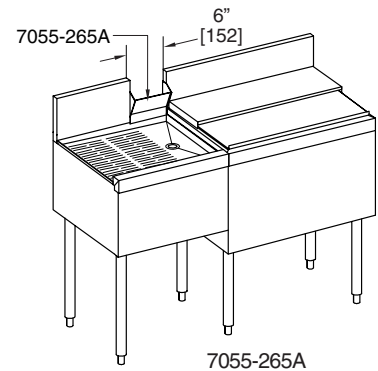
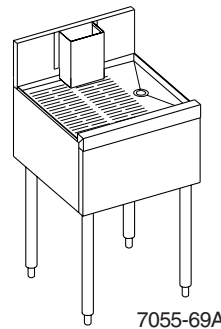
Finishing Cover for Trunk Housing

Part No.	Description	List Price
7055-60	Finishing cover	\$39.00



Access Cutouts for TS Series

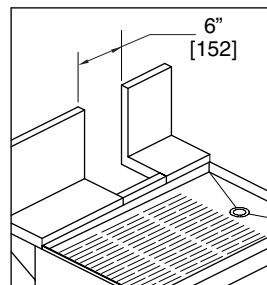
Part No.	Description	List Price
7055-69A	Drainboard cutout	\$324.00
7055-265A	Backsplash cutout for soda lines	145.00



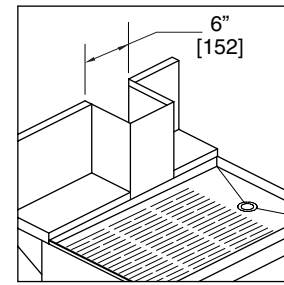
Access Cutouts for TSD Series

Part No.	Description	List Price
7055-65A*	6" cutout	\$ 118.00
7055-67A*	6" cutout w/chimney	167.00
7055-57A*	6" cutout w/backsplash and 4" chimney	167.00

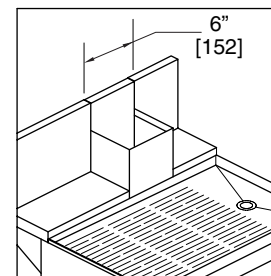
* Please specify location on 6" increments from either end.



7055-65A



7055-67A



7055-57A

CUSTOM SERIES CABINETS with SELF CONTAINED REFRIGERATION

ONE DOOR (32" Long x 24³/₄" Deep x 34¹/₂" High)
 Top, back, ends and interior are stainless steel. Includes interior light, door lock, three vinyl coated shelves and is ANSI/NSF #7 approved for open food storage. Comes with 5 year compressor and 1 year parts & labor warranty.

Part No.	List Price	Case Capacity	Amps	H.P.	Ship Wt. (lbs.)
BS32	\$3,036.00	5.5	2.7	1/6	210

BASE CABINET OPTIONS

Please list your choice of cabinet finishes and door styles from the following options.

Top Finish

For laminated tops please provide your laminate choice by indicating the manufacturer's name and the number and description of the laminate.

Part No.	Description	List Price
L	Laminated	\$380.00

Locking Rail Finish (Please specify)

Part No.	Description	List Price
S	Stainless	N/C
B	Black	N/C

Condensing Unit Cover Finish

Part No.	Description	List Price
B	Black	N/C
S	Stainless	\$36.00
L	Laminated to match doors	\$162.00

Door Finish

Specify the door style beginning from left to right by listing the part number and description of each door and indicate left or right hinging. For laminated doors please provide your laminate choice by indicating the manufacturer's name and the number and description of the laminate.

Part No.	Description	List Price Per Door
B	Black vinyl clad	N/C
L	Laminated	\$144.00
P	Painted in choice of color	144.00
F	Field laminated	100.00
S	Stainless	54.00
X	Laminated over black	214.00
U	Laminated over stainless	268.00
G	Glass w/blk. frame	187.00
T	Glass w/ SS frame	241.00
A	Glass w/lam. (over black frame)	401.00
W	Glass w/lam. (over stainless steel frame)	455.00

Note: For 230V/50HZ/1, add \$135.00 list each.

Door Handles

Optional handles in lieu of standard full length handle.

Part No.	Description	List Price Per Door
C31409-1	Classic SS 6" handle w/ black vinyl grip	\$ N/C
65609-2	Top mounted SS pull handle	\$ N/C

Polished Brass Hardware

Provides polished brass door handle and lock in lieu of chrome plated.

Part No.	Description	List Price Per Door
PBH	Classic handle	\$41.00
PBH1	Full length handle	70.00



BS32 w/Stainless Door and Condensing Unit Cover

Finish Ends Specify Left or right end.

Part No.	Description	List Price
66326E	Laminated end	\$182.00
66359-1SS*	Stainless end	\$212.00

*Note: If required to cover access holes on ends opposite condensing unit.

Wine Temperature Conversion

Converts cabinet temperature range for red or white wine storage.

Part No.	Description	List Price
C12827WIN	Temp. control, wine cooler (installed)	\$62.00

Wine Shelves

Wine shelves in lieu of standard shelves, (includes 3 shelves and bottom rack).



Part No.	Description	List Price
66342W	Wine shelves	\$ 56.00

ACCESSORIES

Adjustable Legs or Caster Kits

Part No.	Description	List Price
57933	Legs, Adjusts - 4" to 5"	\$105.00
57782	Legs, Adjusts - 6" to 7 ¹ / ₄ "	112.00
57786	Casters - 3 ³ / ₄ "	78.00
57784	Casters - 6 ¹ / ₈ "	127.00

Legs and Baseplate Kits

Part No.	Description	List Price
66320-32SS	6" Legs and stainless front baseplate	\$195.00
66320SS	6" Stainless end baseplate	77.00
66320-32SS-4	4" Legs and stainless front baseplate	180.00
66320SS-4	4" Stainless end baseplate	76.00

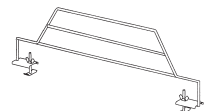
Platform Base

Factory installed stainless steel platform base raises cabinet height to 37". Cannot be used with legs or baseplate.

Part No.	Description	List Price
63490-32SS	Platform base	\$124.00

Clamp on shelf divider

Part No.	Description	List Price
C5090-48	Shelves divider	\$49.00



Second Year Extended Parts and Labor Warranty

Refer to page 47 for warranty information.

Part No.	Description	Net Price
730	Second year extended parts and labor warranty	\$130.00

Beer Dispensing Kits

Refer to page 34 for ordering information.

CUSTOM SERIES CABINETS with SELF CONTAINED REFRIGERATION

TWO DOOR DUAL ZONE (60" Long x 24³/₄" Deep x 34¹/₂" High)

Top, back, ends and interior are stainless steel. Includes interior light, door lock, three vinyl coated shelves per door and is ANSI/NSF #7 approved. Comes with 5 year compressor and 1 year parts & labor warranty.

Part No.	List Price	Amps	H.P.	Ship Wt. (lbs.)
BSDZ60	\$5,441.00	6.7	1/4	390

BASE CABINET OPTIONS

Please list your choice of cabinet finishes and door styles from the following options.

Temperature Zone Configuration

Part No.	Left Compartment	Right Compartment	List Price
B-W	38°	50°-55°	N/C
B-R	38°	60°-65°	N/C
W-R	50°-55°	60°-65°	N/C

Top Finish

For laminated tops please provide your laminate choice by indicating the manufacturer's name and the number and description of the laminate.

Part No.	Description	List Price
L	Laminated	\$444.00

Locking Rail Finish (Please specify)

Part No.	Description	List Price
S	Stainless	N/C
B	Black	N/C

Condensing Unit Cover Finish

Part No.	Description	List Price
B	Black	N/C
S	Stainless	\$36.00
L	Laminated to match doors	\$162.00

Door Finish

Specify the door style beginning from left to right by listing the part number and description of each door and indicate left or right hinging. For laminated doors please provide your laminate choice by indicating the manufacturer's name and the number and description of the laminate.

Part No.	Description	List Price Per Door
B	Black vinyl clad	N/C
L	Laminated	\$144.00
P	Painted in choice of color	144.00
F	Field laminated	100.00
S	Stainless	54.00
X	Laminated over black	214.00
U	Laminated over stainless	268.00
G	Glass w/blk. frame	187.00
T	Glass w/ SS frame	241.00
A	Glass w/lam. (over black frame)	401.00
W	Glass w/lam. (over stainless steel frame)	455.00

Note: For 230V/50HZ/1, add \$135.00 list each.

Door Handles

Optional handles in lieu of standard full length handle.

Part No.	Description	List Price Per Door
C31049-1	Classic SS 6" handle w/ black vinyl grip	\$ N/C
65609-2	Top mounted SS pull handle	\$ N/C

BSDZ w/optional Legs and Pull Handles.



Polished Brass Hardware

Provides polished brass door handle and lock in lieu of chrome plated.

Part No.	Description	List Price Per Door
PBH	Classic handle	\$41.00
PBH1	Full length handle	70.00

Finish Ends Specify Left or right end.

Part No.	Description	List Price
66326E	Laminated end	\$182.00
66359-1SS*	Stainless end	\$212.00

*Note: If required to cover access holes on ends opposite condensing unit.

Shelving Options

Wine shelves in lieu of standard shelves.

Part No.	Description	List Price Per Door
66342W	Wine shelves in lieu of standard shelves (includes 3 shelves and bottom rack)	\$ 62.00
66342W22	Six full extension pull out wine shelves	\$ 728.00

ACCESSORIES

Adjustable Legs or Caster Kits

Part No.	Description	List Price
57933	Legs, Adjusts - 4" to 5"	\$105.00
57782	Legs, Adjusts - 6" to 7 ¹ / ₄ "	112.00
57786	Casters - 3 ³ / ₄ "	78.00
57784	Casters - 6 ¹ / ₈ "	127.00

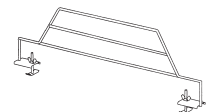
Legs and Baseplate Kits

Part No.	Description	List Price
66320-32SS	6" Legs and stainless front baseplate	\$208.00
66320SS	6" Stainless end baseplate	77.00
66320-32SS-4	4" Legs and stainless front baseplate	180.00
66320SS-4	4" Stainless end baseplate	76.00

Platform Base

Factory installed stainless steel platform base raises cabinet height to 37". Cannot be used with legs or baseplate.

Part No.	Description	List Price
63490-32SS	Platform base	\$140.00



Clamp on shelf divider

Part No.	Description	List Price
C5090-48	Shelves divider	\$49.00

Second Year Extended Parts and Labor Warranty

CUSTOM SERIES CABINETS with SELF CONTAINED REFRIGERATION

TWO DOOR (60" Long x 24³/₄" Deep x 34¹/₂" High)

Top, back, ends and interior are stainless steel. Includes interior lights, door locks, three vinyl coated shelves per door and is ANSI/NSF #7 approved for open food storage. Comes with 5 year compressor and 1 year parts & labor warranty.

Part No.	List Price	Case Capacity	Amps	H.P.	Ship Wt. (lbs.)
BS60	\$4,801.00	12.9	6.3	1/4	380

BASE CABINET OPTIONS

Please list your choice of cabinet finishes and door styles from the following options.

Top Finish

For laminated tops please provide your laminate choice by indicating the manufacturer's name and the number and description of the laminate.

Part No.	Description	List Price
L	Laminated	\$444.00

Locking Rail Finish (Please specify)

Part No.	Description	List Price
S	Stainless	N/C
B	Black	N/C

Condensing Unit Location

Part No.	Description	List Price
R	Condensing unit right	N/C
L	Condensing unit left	N/C

Condensing Unit Cover Finish

Part No.	Description	List Price
B	Black	N/C
S	Stainless	\$36.00
L	Laminated to match doors	\$162.00

Door Finish

Specify the door style beginning from left to right by listing the part number and description of each door and indicate left or right hinging. For laminated doors please provide your laminate choice by indicating the manufacturer's name and the number and description of the laminate.

Part No.	Description	List Price Per Door
B	Black vinyl clad	N/C
L	Laminated	\$144.00
P	Painted in choice of color	144.00
F	Field laminated	100.00
S	Stainless	54.00
X	Laminated over black	214.00
U	Laminated over stainless	268.00
G	Glass w/blk. frame	187.00
T	Glass w/ SS frame	241.00
A	Glass w/lam. (over black frame)	401.00
W	Glass w/lam. (over stainless steel frame)	455.00

Note: For 230V/50HZ/1, add \$135.00 list each.

Door Handles

Optional handles in lieu of standard full length handle.

Part No.	Description	List Price Per Door
C31049-1	Classic SS 6" handle w/ black vinyl grip	\$ N/C
65609-2	Top mounted SS pull handle	\$ N/C

Polished Brass Hardware

Provides polished brass door handle and lock in lieu of chrome plated.

Part No.	Description	List Price Per Door
PBH	Classic handle	\$41.00
PBH1	Full length handle	70.00



BS60 w/ stainless exterior, optional top mount handles, optional leg set. and optional sliding glass doors (see Page 34).

Finish Ends Specify Left or right end.

Part No.	Description	List Price
66326E	Laminated end	\$182.00
66359-1SS*	Stainless end	\$212.00

*Note: If required to cover access holes on ends opposite condensing unit.

Wine Temperature Conversion

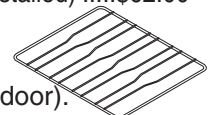
Converts cabinet temperature range for red or white wine storage.

Part No.	Description	List Price
C12827WIN	Temp. control, wine cooler (installed)	\$62.00

Wine Shelves

Wine shelves in lieu of standard shelves, (includes 3 shelves and bottom rack per door).

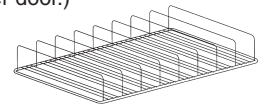
Part No.	Description	List Price Per Door
66342W	Wine shelves	\$ 56.00



Shelving w/ Integral Dividers in Lieu of

Standard Shelves. (Includes 3 shelves per door.)

Part No.	Description	List Price Per Door
66342D	Shelves with dividers- (Specify Compartment)..	\$52.00



Hole for Floor Access

(Includes shelves w/cut-outs, left compartment)

Part No.	Description	List Price
63054	Floor access	\$325.00

ACCESSORIES

Adjustable Legs or Caster Kits

Part No.	Description	List Price
57933	Legs, Adjusts - 4" to 5"	\$105.00
57782	Legs, Adjusts - 6" to 7 ¹ / ₄ "	112.00
57786	Casters - 3 ³ / ₄ "	78.00
57784	Casters - 6 ¹ / ₈ "	127.00

Legs and Baseplate Kits

Part No.	Description	List Price
66320-60SS	6" Legs and stainless front baseplate	\$208.00
66320SS	6" Stainless end baseplate	77.00
66320-60SS-4	4" Legs and stainless front baseplate	195.00
66320SS-4	4" Stainless end baseplate	76.00

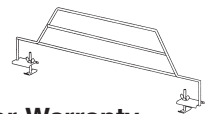
Platform Base

Factory installed stainless steel platform base raises cabinet height to 37". Cannot be used with legs or baseplate.

Part No.	Description	List Price
63490-60SS	Platform base	\$140.00

Clamp on shelf divider

Part No.	Description	List Price
C5090-48	Shelves divider	\$49.00



Second Year Extended Parts and Labor Warranty

Refer to page 47 for warranty information.

Part No.	Description	Net Price
730	Second year extended parts and labor warranty	\$130.00

Sliding Glass Doors/Beer Dispensing Kits

Refer to page 34 for ordering information.

CUSTOM SERIES CABINETS with SELF CONTAINED REFRIGERATION

THREE DOOR (84" Long x 24³/₄" Deep x 34¹/₂" High)

Top, back, ends and interior are stainless steel. Includes interior lights, door locks, three vinyl coated shelves per door and is ANSI/NSF #7 approved for open food storage. Comes with 5 year compressor and 1 year parts & labor warranty.

Part No.	List Price	Case Capacity	Amps	H.P.	Ship Wt. (lbs.)
BS84	\$5,748.00	20.4	8.1	1/3	490

BASE CABINET OPTIONS

Please list your choice of cabinet finishes and door styles from the following options.

Top Finish

For laminated tops please provide your laminate choice by indicating the manufacturer's name and the number and description of the laminate.

Part No.	Description	List Price
L	Laminated	\$590.00

Locking Rail Finish (Please specify)

Part No.	Description	List Price
S	Stainless	N/C
B	Black	N/C

Condensing Unit Location

Part No.	Description	List Price
R	Condensing unit right	N/C
L	Condensing unit left	N/C

Condensing Unit Cover Finish

Part No.	Description	List Price
B	Black	N/C
S	Stainless	\$36.00
L	Laminated to match doors	\$162.00

Door Finish

Specify the door style beginning from left to right by listing the part number and description for each door and indicate left or right hinging. For laminated doors please provide your laminate choice by indicating the manufacturer's name and the number and description of the laminate.

Part No.	Description	Per Door
B	Black vinyl clad	N/C
L	Laminated	\$144.00
P	Painted in choice of color	144.00
F	Field laminated	100.00
S	Stainless	54.00
X	Laminated over black	214.00
U	Laminated over stainless	268.00
G	Glass w/blk. frame	187.00
T	Glass w/ SS frame	241.00
A	Glass w/lam. (over black frame)	401.00
W	Glass w/lam. (over stainless steel frame)	455.00

Note: For 230V/50HZ/1, add \$135.00 list each.

Door Handles

Optional handles in lieu of standard full length handle.

Part No.	Description	List Price Per Door
C31049-1	Classic SS 6" handle w/ black vinyl grip	\$ N/C
65609-2	Top mounted SS pull handle	\$ N/C

Polished Brass Hardware

Provides polished brass door handle and lock in lieu of chrome plated.

Part No.	Description	List Price Per Door
PBH	Classic handle	\$41.00
PBH1	Full length handle	70.00



BS84 w/ stainless exterior 2 glass doors and optional leg set and optional classic 6" handles.

Finish Ends Specify Left or right end.

Part No.	Description	List Price
66326E	Laminated end	\$182.00
66359-1SS*	Stainless end	\$212.00

*Note: If required to cover access holes on ends opposite condensing unit.

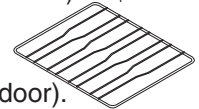
Wine Temperature Conversion

Converts cabinet temperature range for red or white wine storage.

Part No.	Description	List Price
C12827WIN	Temp. control, wine cooler (installed)	\$62.00

Wine Shelves

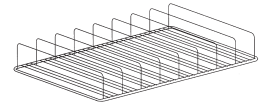
Wine shelves in lieu of standard shelves, (includes 3 shelves and bottom rack per door).



Part No.	Description	List Price Per Door
66342W	Wine shelves (Specify Compartment)	\$ 56.00

Shelving w/ Integral Dividers in Lieu of Standard Shelves. (Includes 3 shelves per door.)

Part No.	Description	List Price Per Door
66342D	Shelves with dividers- (Specify Compartment)	\$52.00



Hole for Floor Access

(Includes shelves w/cut-outs, left compartment)

Part No.	Description	List Price
63054	Floor access	\$325.00

ACCESSORIES

Adjustable Legs or Caster Kits

Part No.	Description	List Price
57933	Legs, Adjusts - 4" to 5"	\$105.00
57782	Legs, Adjusts - 6" to 7 ¹ / ₄ "	112.00
57786	Casters - 3 ³ / ₄ "	78.00
57784	Casters - 6 ¹ / ₈ "	127.00

Legs and Baseplate Kits

Part No.	Description	List Price
66320-84SS	6" Legs and stainless front baseplate	\$230.00
66320SS	6" Stainless end baseplate	77.00
66320-84SS-4	4" Legs and stainless front baseplate	220.00
66320SS-4	4" Stainless end baseplate	76.00

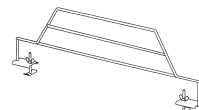
Platform Base

Factory installed stainless steel platform base raises cabinet height to 37". Cannot be used with legs or baseplate.

Part No.	Description	List Price
63490-84SS	Platform base	\$159.00

Clamp on shelf divider

Part No.	Description	List Price
C5090-48	Shelves divider	\$49.00



Second Year Extended Parts and Labor Warranty

Labor Warranty

Refer to page 47 for warranty information.

Part No.	Description	Net Price
730	Second year extended parts and labor warranty	\$130.00

Beer Dispensing Kits

Refer to page 34 for ordering information.

CUSTOM SERIES CABINETS with SELF CONTAINED REFRIGERATION

FOUR DOOR (108" Long x 24³/₄" Deep x 34¹/₂" High)

Top, back, ends and interior are stainless steel. Includes interior lights, door locks, three vinyl coated shelves per door and is ANSI/NSF #7 approved for open food storage. Comes with 5 year compressor and 1 year parts & labor warranty.

Part No.	List Price	Case Capacity	Amps	H.P.	Ship Wt. (lbs.)
BS108.....	\$6,923.00	27.7	8.3	1/3	630

BASE CABINET OPTIONS

Please list your choice of cabinet finishes and door styles from the following options.

Top Finish

For laminated tops please provide your laminate choice by indicating the manufacturer's name and the number and description of the laminate.

Part No.	Description	List Price
L	Laminated	\$760.00

Locking Rail Finish (Please specify)

Part No.	Description	List Price
S	Stainless	N/C
B	Black	N/C

Condensing Unit Location

Part No.	Description	List Price
R	Condensing unit right	N/C
L	Condensing unit left	N/C

Condensing Unit Cover Finish

Part No.	Description	List Price
B	Black	N/C
S	Stainless	\$36.00
L	Laminated to match doors	\$162.00

Door Finish

Specify the door style beginning from left to right by listing the part number and description for each door and indicate left or right hinging. For laminated doors please provide your laminate choice by indicating the manufacturer's name and the number and description of the laminate.

Part No.	Description	List Price Per Door
B	Black vinyl clad	N/C
L	Laminated	\$144.00
P	Painted in choice of color	144.00
F	Field laminated	100.00
S	Stainless	54.00
X	Laminated over black	214.00
U	Laminated over stainless	268.00
G	Glass w/blk. frame	187.00
T	Glass w/ SS frame	241.00
A	Glass w/lam. (over black frame)	401.00
W	Glass w/lam. (over stainless steel frame)	455.00

Note: For 230V/50HZ/1, add \$135.00 list each.

Door Handles

Optional handles in lieu of standard full length handle.

Part No.	Description	List Price Per Door
C31049-1	Classic SS 6" handle w/ black vinyl grip	\$ N/C
65609-2	Top mounted SS pull handle	\$ N/C

Polished Brass Hardware

Provides polished brass door handle and lock in lieu of chrome plated.

Part No.	Description	List Price Per Door
PBH.....	Classic handle	\$41.00
PBH1.....	Full length handle	70.00



BS108
w/custom laminated doors, optional classic 6" handles and optional leg set.

Finish Ends - Specify Left or right end.

Part No.	Description	List Price
66326E.....	Laminated end	\$182.00
66359-1SS*	Stainless end	\$212.00

*Note: If required to cover access holes on ends opposite condensing unit.

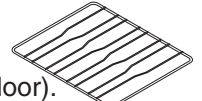
Wine Temperature Conversion

Converts cabinet temperature range for red or white wine storage.

Part No.	Description	List Price
C12827WIN	Temp. control, wine cooler (installed)	\$62.00

Wine Shelves

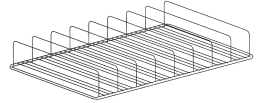
Wine shelves in lieu of standard shelves, (includes 3 shelves and bottom rack per door).



Part No.	Description	List Price Per Door
66342W	Wine shelves (Specify Compartment)	\$ 56.00

Shelving w/ Integral Dividers in Lieu of Standard Shelves. (Includes 3 shelves per door.)

Part No.	Description	List Price Per Door
66342D	Shelves with dividers- (Specify Compartment)	\$52.00



Hole for Floor Access

(Includes shelves w/cut-outs, left compartment)

Part No.	Description	List Price
63054	Floor access	\$325.00

ACCESSORIES

Adjustable Legs or Caster Kits

Part No.	Description	List Price
57934	Legs, Adjusts - 4" to 5"	\$ 149.00
57783	Legs, Adjusts - 6" to 7 ¹ / ₄ "	165.00
57787	Casters - 3 ³ / ₄ "	117.00
57785	Casters - 6 ¹ / ₈ "	188.00

Legs and Baseplate Kits

Part No.	Description	List Price
66320-108SS	6" Legs and stainless front baseplate	\$300.00
66320SS	6" Stainless end baseplate	77.00
66320-108SS-4	4" Legs and stainless front baseplate	290.00
66320SS-4	4" Stainless end baseplate	76.00

Platform Base

Factory installed stainless steel platform base raises cabinet height to 37". Cannot be used with legs or baseplate.

Part No.	Description	List Price
63490-108SS	Platform base	\$202.00

Clamp on shelf divider

Part No.	Description	List Price
C5090-48	Shelves divider	\$49.00



Second Year Extended Parts and Labor Warranty

Refer to page 47 for warranty information.

Part No.	Description	Net Price
730	Second year extended parts and labor warranty	\$130.00

Sliding Glass Doors/Beer Dispensing Kits

Refer to page 34 for ordering information.



CUSTOM SERIES CABINETS for REMOTE REFRIGERATION

TWO DOOR (48" Long x 24³/₄ Deep x 34¹/₂" High)

Top, back, ends and interior are stainless steel. Includes interior lights, door locks, three vinyl coated shelves per door, factory installed expansion valve and is ANSI/NSF #7 approved for open food storage. Comes with 1 year parts & labor warranty.

Part No.	List Price	Case Capacity	Amps	BTU/HR	Ship Wt. (lbs.)
BR48	\$3,217.00	12.9	1.6	1800	310

BASE CABINET OPTIONS

Please list your choice of cabinet finishes and door styles from the following options.

Top Finish

For laminated tops please provide your laminate choice by indicating the manufacturer's name and the number and description of the laminate.

Part No.	Description	List Price
L	Laminated	\$373.00

Locking Rail Finish (Please specify)

Part No.	Description	List Price
S	Stainless	N/C
B	Black	N/C

Door Finish

Specify the door style beginning from left to right by listing the part number and description for each door and indicate left or right hinging. For laminated doors please provide your laminate choice by indicating the manufacturer's name and the number and description of the laminate.

Part No.	Description	List Price Per Door
B	Black vinyl clad	N/C
L	Laminated	\$144.00
P	Painted in choice of color	144.00
F	Field laminated	100.00
S	Stainless	54.00
X	Laminated over black	214.00
U	Laminated over stainless	268.00
G	Glass w/blk. frame	187.00
T	Glass w/ SS frame	241.00
A	Glass w/lam. (over black frame)	401.00
W	Glass w/lam. (over stainless steel frame)	455.00

Note: For 230V/50HZ/1, add \$135.00 list each.

Door Handles

Optional handles in lieu of standard full length handle.

Part No.	Description	List Price Per Door
C31049-1	Classic SS 6" handle w/ black vinyl grip	\$ N/C
65609-2	Top mounted SS pull handle	\$ N/C

Polished Brass Hardware

Provides polished brass door handle and lock in lieu of chrome plated.

Part No.	Description	List Price Per Door
PBH	Classic handle	\$41.00
PBH1	Full length handle	70.00

Finish Ends - Specify Left or right end.

Part No.	Description	List Price
66326E	Laminated end	\$182.00
66359-1SS*	Stainless end	212.00

*Note: If required to cover access holes.

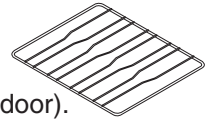


BR48 w/ stainless exterior, glass doors, optional pull handles and optional leg set.

Wine Shelves

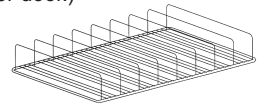
Wine shelves in lieu of standard shelves, (includes 3 shelves and bottom rack per door).

Part No.	Description	List Price Per Door
66342W	Wine shelves	\$ 56.00



Shelving w/ Integral Dividers in Lieu of Standard Shelves. (Includes 3 shelves per door.)

Part No.	Description	List Price Per Door
66342D	Shelves with dividers- (Specify Compartment)..	\$52.00



Hole for Floor Access

(Includes shelves w/cut-outs, left compartment)

Part No.	Description	List Price
63054	Floor access	\$325.00

ACCESSORIES

Adjustable Leg Kits

Part No.	Description	List Price
57933	Legs, Adjusts - 4" to 5"	\$105.00
57782	Legs, Adjusts - 6" to 7 ¹ / ₄ "	112.00

Legs and Baseplate Kits

Part No.	Description	List Price
66320-48SS	6" Legs and stainless front baseplate	\$190.00
66320SS	6" Stainless end baseplate	77.00
66320-48SS-4	4" Legs and stainless front baseplate	180.00
66320SS-4	4" Stainless end baseplate	76.00

Platform Base

Factory installed stainless steel platform base raises cabinet height to 37". Cannot be used with legs or baseplate.

Part No.	Description	List Price
63490-48SS	Platform base	\$180.00

R-22 Condensing Unit Assembly

Part No.	Description	Ship Wt.	List Price
C26P-22	1/4 H.P. for 2 door unit	53	\$999.00

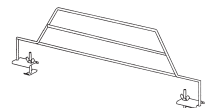
Refrigerant

Expansion valves are installed on the cabinet specific to the refrigerant used. Select appropriate refrigerant.

Part No.	Description	List Price
R22	Refrigerant	N/C
404A	Refrigerant	N/C

Clamp on shelf divider

Part No.	Description	List Price
C5090-48	Shelf divider	\$49.00



Sliding Glass Doors/Beer Dispensing Kits

Refer to page 34 for ordering information.

CUSTOM SERIES CABINETS for REMOTE REFRIGERATION

THREE DOOR (72" Long x 24³/₄" Deep x 34¹/₂" High)

Top, back, ends and interior are stainless steel. Includes interior lights, door locks, three vinyl coated shelves per door, factory installed expansion valve and is ANSI/NSF #7 approved for open food storage. Comes with 1 year parts & labor warranty.

Part No.	List Price	Case Capacity	Amps	BTU/HR	Ship Wt. (lbs.)
BR72	\$4,186.00	20.4	2.0	2200	400

BASE CABINET OPTIONS

Please list your choice of cabinet finishes and door styles from the following options.

Top Finish

For laminated tops please provide your laminate choice by indicating the manufacturer's name and the number and description of the laminate.

Part No.	Description	List Price
L	Laminated	\$520.00

Locking Rail Finish (Please specify)

Part No.	Description	List Price
S	Stainless	N/C
B	Black	N/C

Door Finish

Specify the door style beginning from left to right by listing the part number and description for each door and indicate left or right hinging. For laminated doors please provide your laminate choice by indicating the manufacturer's name and the number and description of the laminate.

Part No.	Description	List Price Per Door
B	Black vinyl clad	N/C
L	Laminated	\$144.00
P	Painted in choice of color	144.00
F	Field laminated	100.00
S	Stainless	54.00
X	Laminated over black	214.00
U	Laminated over stainless	268.00
G	Glass w/blk. frame	187.00
T	Glass w/ SS frame	241.00
A	Glass w/lam. (over black frame)	401.00
W	Glass w/lam. (over stainless steel frame)	455.00

Note: For 230V/50HZ/1, add \$135.00 list each.

Door Handles

Optional handles in lieu of standard full length handle.

Part No.	Description	List Price Per Door
C31049-1	Classic SS 6" handle w/ black vinyl grip	\$ N/C
65609-2	Top mounted SS pull handle	\$ N/C

Polished Brass Hardware

Provides polished brass door handle and lock in lieu of chrome plated.

Part No.	Description	List Price Per Door
PBH	Classic handle	\$41.00
PBH1	Full length handle	70.00

Finish Ends

Specify Left or right end.

Part No.	Description	List Price
66326E	Laminated end	\$182.00
66359-1SS*	Stainless end	212.00

*Note: If required to cover access holes.

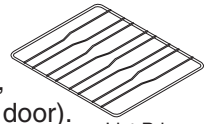


BR72
w/ stainless
exterior, 2 glass doors,
standard handles and
optional leg set.

Wine Shelves

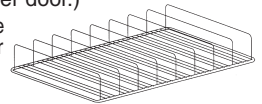
Wine shelves in lieu of standard shelves, (includes 3 shelves and bottom rack per door).

Part No.	Description	List Price Per Door
66342W	Wine shelves (Specify Compartment)	..\$ 56.00



Shelving w/ Integral Dividers in Lieu of Standard Shelves. (Includes 3 shelves per door.)

Part No.	Description	List Price Per Door
66342D	Shelves with dividers- (Specify Compartment)	..\$52.00



Hole for Floor Access

(Includes shelves w/cut-outs, left compartment)

Part No.	Description	List Price
63054	Floor access	\$325.00

ACCESSORIES

Adjustable Leg Kits

Part No.	Description	List Price
57933	Legs, Adjusts - 4" to 5"	\$ 105.00
57782	Legs, Adjusts - 6" to 7 ¹ / ₄ "	112.00

Legs and Baseplate Kits

Part No.	Description	List Price
66320-72SS	6" Legs and stainless front baseplate	..\$300.00
66320SS	6" Stainless end baseplate	77.00
66320-72SS-4	4" Legs and stainless front baseplate	..290.00
66320SS-4	4" Stainless end baseplate	76.00

Platform Base

Factory installed stainless steel platform base raises cabinet height to 37". Cannot be used with legs or baseplate.

Part No.	Description	List Price
63490-72SS	Platform base	..\$200.00

R-22 Condensing Unit Assembly

Part No.	Description	Ship Wt.	List Price
C27P-22	1/3 H.P. for 3 door unit	67	..\$1,146.00

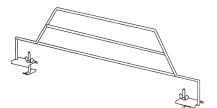
Refrigerant

Expansion valves are installed on the cabinet specific to the refrigerant used. Select appropriate refrigerant.

Part No.	Description	List Price
R22	Refrigerant	N/C
404A	Refrigerant	N/C

Clamp on shelf divider

Part No.	Description	List Price
C5090-48	Shelf divider	..\$49.00



Beer Dispensing Kits

Refer to page 34 for ordering information.

CUSTOM SERIES CABINETS for REMOTE REFRIGERATION

FOUR DOOR (96" Long x 24³/₄" Deep x 34¹/₂" High)

Top, back, ends and interior are stainless steel. Includes interior lights, door locks, three vinyl coated shelves per door, factory installed expansion valve and is ANSI/NSF #7 approved for open food storage. Comes with 1 year parts & labor warranty.

Part No.	List Price	Case Capacity	Amps	BTU/HR	Ship Wt. (lbs.)
BR96	\$5,209.00	27.7	2.5	2600	540

BASE CABINET OPTIONS

Please list your choice of cabinet finishes and door styles from the following options.

Top Finish

For laminated tops please provide your laminate choice by indicating the manufacturer's name and the number and description of the laminate.

Part No.	Description	List Price
L	Laminated	\$672.00

Locking Rail Finish (Please specify)

Part No.	Description	List Price
S	Stainless	N/C
B	Black	N/C

Door Finish

Specify the door style beginning from left to right by listing the part number and description for each door and indicate left or right hinging. For laminated doors please provide your laminate choice by indicating the manufacturer's name and the number and description of the laminate.

Part No.	Description	List Price Per Door
B	Black vinyl clad	N/C
L	Laminated	\$144.00
P	Painted in choice of color	144.00
F	Field laminated	100.00
S	Stainless	54.00
X	Laminated over black	214.00
U	Laminated over stainless	268.00
G	Glass w/blk. frame	187.00
T	Glass w/ SS frame	241.00
A	Glass w/lam. (over black frame)	401.00
W	Glass w/lam. (over stainless steel frame)	455.00

Note: For 230V/50HZ/1, add \$135.00 list each.

Door Handles

Optional handles in lieu of standard full length handle.

Part No.	Description	List Price Per Door
C31049-1	Classic SS 6" handle w/ black vinyl grip	\$ N/C
65609-2	Top mounted SS pull handle	\$ N/C

Polished Brass Hardware

Provides polished brass door handle and lock in lieu of chrome plated.

Part No.	Description	List Price Per Door
PBH	Classic handle	\$41.00
PBH1	Full length handle	70.00

Finish Ends - Specify Left or right end.

Part No.	Description	List Price
66326E	Laminated end	\$182.00
66359-1SS*	Stainless end	212.00

*Note: If required to cover access holes.

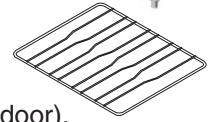


BR96 w/custom laminated exterior, 2 glass doors, optional 6" handles and optional leg set.

Wine Shelves

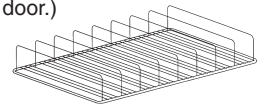
Wine shelves in lieu of standard shelves, (includes 3 shelves and bottom rack per door).

Part No.	Description	List Price Per Door
66342W	Wine shelves (Specify Compartment)	\$ 56.00



Shelving w/ Integral Dividers in Lieu of Standard Shelves. (Includes 3 shelves per door.)

Part No.	Description	List Price Per Door
66342D	Shelves with dividers- (Specify Compartment)	\$52.00



Hole for Floor Access

(Includes shelves w/cut-outs, left compartment)

Part No.	Description	List Price
63054	Floor access	\$325.00

ACCESSORIES

Adjustable Leg Kits

Part No.	Description	List Price
57934	Legs, Adjusts - 4" to 5"	\$149.00
57783	Legs, Adjusts - 6" to 7 ¹ / ₄ "	165.00

Legs and Baseplate Kits

Part No.	Description	List Price
66320-96SS	6" Legs and stainless front baseplate	\$330.00
66320SS	6" Stainless end baseplate	77.00
66320-96SS-4	4" Legs and stainless front baseplate	320.00
66320SS-4	4" Stainless end baseplate	76.00

Platform Base

Factory installed stainless steel platform base raises cabinet height to 37". Cannot be used with legs or baseplate.

Part No.	Description	List Price
63490-96SS	Platform base	\$220.00

R-22 Condensing Unit Assembly

Part No.	Description	Ship Wt.	List Price
C27P-22	1/3 H.P. for 4 door unit	67	\$1,146.00

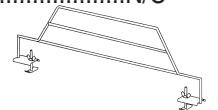
Refrigerant

Expansion valves are installed on the cabinet specific to the refrigerant used. Select appropriate refrigerant.

Part No.	Description	List Price
R22	Refrigerant	N/C
404A	Refrigerant	N/C

Clamp on shelf divider

Part No.	Description	List Price
C5090-48	Shelf divider	\$49.00



Sliding Glass Doors/Beer Dispensing Kits

Refer to page 34 for ordering information.

CUSTOM SERIES CABINETS — NON- REFRIGERATED

ONE DOOR (24" Long x 24³/₄" Deep x 34¹/₂" High)

Top, back and ends are stainless steel. Includes door lock and three vinyl coated shelves.

Part No.	List Price	Ship Wt. (lbs.)
BN24	\$1,310.00.....	120



BN24
w/ stainless exterior,
optional pull handle and
optional leg set.

BASE CABINET OPTIONS

Please list your choice of cabinet finishes and door styles from the following options.

Top Finish

For laminated tops please provide your laminate choice by indicating the manufacturer's name and the number and description of the laminate.

Part No.	Description	List Price
L	Laminated	\$ 351.00

Locking Rail Finish (Please specify)

Part No.	Description	List Price
S	Stainless	N/C
B	Black	N/C

Door Finish

Specify the door style by listing the part number and description for the door and indicate left or right hinging. For a laminated door please provide your laminate choice by indicating the manufacturer's name and the number and description of the laminate.

Part No.	Description	List Price Per Door
B	Black vinyl clad	N/C
L	Laminated	\$ 144.00
P	Painted in choice of color	144.00
F	Field laminated	100.00
S	Stainless	54.00
X	Laminated over black	214.00
U	Laminated over stainless	268.00

Door Handles

Optional handles in lieu of standard full length handle.

Part No.	Description	List Price Per Door
C31049-1	Classic SS 6" handle w/ black vinyl grip	\$ N/C
65609-2	Top mounted SS pull handle	\$ N/C

Polished Brass Hardware

Provides polished brass door handle and lock in lieu of chrome plated.

Part No.	Description	List Price Per Door
PBH	Classic handle	\$41.00
PBH1	Full length handle	70.00

Finish Ends

Specify Left or right end.

Part No.	Description	List Price
66326E	Laminated end	\$182.00
66359-1SS*	Stainless end	212.00

*Note: If required to cover access holes.

ACCESSORIES

Adjustable Legs or Caster Kits

Part No.	Description	List Price
57933	Legs, Adjusts - 4" to 5"	\$105.00
57782	Legs, Adjusts - 6" to 7 ¹ / ₄ "	112.00
57786	Casters - 3 ³ / ₄ "	78.00
57784	Casters - 6 ¹ / ₈ "	127.00

Legs and Baseplate Kits

Part No.	Description	List Price
66320-24SS	6" Legs and stainless front baseplate	\$160.00
66320SS	6" Stainless end baseplate	77.00
66320-24SS-4	4" Legs and stainless front baseplate	150.00
66320SS-4	4" Stainless end baseplate	76.00

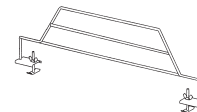
Platform Base

Factory installed stainless steel platform base raises cabinet height to 37". Cannot be used with legs or baseplate.

Part No.	Description	List Price
63490-24SS	Platform base	\$124.00

Clamp on shelf divider

Part No.	Description	List Price
C5090-48	Shelf divider	\$49.00



CUSTOM SERIES CABINETS — NON- REFRIGERATED

TWO DOOR (48" Long x 24³/₄" Deep x 34¹/₂" High)

Top, back and ends are stainless steel. Includes door locks and three vinyl coated shelves per door.

Part No.	List Price	Ship Wt. (lbs.)
BN48	\$2,090.00	240

BASE CABINET OPTIONS

Please list your choice of cabinet finishes and door styles from the following options.

Top Finish

For laminated tops please provide your laminate choice by indicating the manufacturer's name and the number and description of the laminate.

Part No.	Description	List Price
L	Laminated	\$373.00

Locking Rail Finish (Please specify)

Part No.	Description	List Price
S	Stainless	N/C
B	Black	N/C

Door Finish

Specify the door style beginning from left to right by listing the part number and description for each door and indicate left or right hinging. For laminated door please provide your laminate choice by indicating the manufacturer's name and the number and description of the laminate.

Part No.	Description	List Price Per Door
B	Black vinyl clad	N/C
L	Laminated	\$ 144.00
P	Painted in choice of color	144.00
F	Field laminated	100.00
S	Stainless	54.00
X	Laminated over black	214.00
U	Laminated over stainless	268.00

Door Handles

Optional handles in lieu of standard full length handle.

Part No.	Description	List Price Per Door
C31049-1	Classic SS 6" handle w/ black vinyl grip	\$ N/C
65609-2	Top mounted SS pull handle	\$ N/C

Polished Brass Hardware

Provides polished brass door handle and lock in lieu of chrome plated.

Part No.	Description	List Price Per Door
PBH	Classic handle	\$41.00
PBH1	Full length handle	70.00



BN48
w/ stainless exterior
standard handles and
optional leg set.

Finish Ends

Specify Left or right end.

Part No.	Description	List Price
66326E	Laminated end	\$182.00
66359-1SS*	Stainless end	212.00

*Note: If required to cover access holes.

ACCESSORIES

Adjustable Legs or Caster Kits

Part No.	Description	List Price
57933	Legs, Adjusts - 4" to 5"	\$105.00
57782	Legs, Adjusts - 6" to 7 ¹ / ₄ "	112.00
57786	Casters - 3 ³ / ₄ "	78.00
57784	Casters - 6 ¹ / ₈ "	127.00

Legs and Baseplate Kits

Part No.	Description	List Price
66320-48SS	6" Legs and front stainless baseplate	..\$190.00
66320SS	6" Stainless end baseplate	77.00
66320-48SS-4	4" Legs and stainless front baseplate180.00
66320SS-4	4" Stainless end baseplate76.00

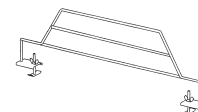
Platform Base

Factory installed stainless steel platform base raises cabinet height to 37". Cannot be used with legs or baseplate.

Part No.	Description	List Price
63490-48SS	Platform base\$180.00

Clamp on shelf divider

Part No.	Description	List Price
C5090-48	Shelf divider\$49.00



CUSTOM SERIES PASS-THRU CABINETS with SELF CONTAINED REFRIGERATION

TWO DOORS ON EACH SIDE (60" Long x 26³/₄" Deep x 34¹/₂" High)

Top, ends and interior are stainless steel. Includes interior lights, door locks, three vinyl coated shelves per compartment. Comes with 5 year compressor and 1 year parts & labor warranty.

Part No.	List Price	Case Capacity	Amps	H.P.	Ship Wt. (lbs.)
PS60	\$6,223.00	12.9	5.7	1/4	380

BASE CABINET OPTIONS

Please list your choice of cabinet tops and door styles from the following options.

Top Finish

For laminated tops please provide your laminate choice by indicating the manufacturer's name and the number and description of the laminate.

Part No.	Description	List Price
L	Laminated	\$490.00

Locking Rail Finish (Please specify)

Part No.	Description	List Price
S	Stainless	N/C
B	Black	N/C

Condensing Unit Cover Finish

Part No.	Description	List Price
B	Black (two required)	N/C
S	Stainless (two required)	\$36.00
L	Laminated to match doors (two required)	\$162.00

Door Finish

Specify the door style by listing the part number and description for each door, starting from left to right on the cabinet front then left to right on the cabinet back. The condensing unit is on the left side of the front and on the right side of the back of the cabinet. Also indicate right or left hinging for each door. For laminated doors please provide your choice of laminate by indicating the manufacturer's name and the number and description of the laminate.

Part No.	Description	List Price Per Door
B	Black vinyl clad	N/C
L	Laminated	\$144.00
P	Painted in color of choice	144.00
F	Field laminated	100.00
S	Stainless	54.00
X	Laminated over black	214.00
U	Laminated over stainless	268.00
G	Glass w/blk. frame	187.00
T	Glass w/ SS frame	241.00
A	Glass w/lam. (over black frame)	401.00
W	Glass w/lam. (over stainless steel frame)	455.00

Note: For 230V/50HZ/1, add \$135.00 list each.

Door Handles

Optional handles in lieu of standard full length handle.

Part No.	Description	List Price Per Door
C31049-1	Classic SS 6" handle w/ black vinyl grip	\$ N/C
65609-2	Top mounted SS pull handle	\$ N/C

Polished Brass Hardware

Provides polished brass door handle and lock in lieu of chrome plated.

Part No.	Description	List Price Per Door
PBH	Classic handle	\$41.00
PBH1	Full length handle	70.00



PS60
w/ stainless exterior,
pull handles, optional
leg set and optional
sliding glass doors
(see page 34).

Finish Ends Specify Left or right end.

Part No.	Description	List Price
66326E	Laminated end	\$182.00
66359-1SS*	Stainless end	\$212.00

*Note: If required to cover access holes on ends opposite condensing unit.

Wine Shelves

Wine shelves in lieu of standard shelves, (includes 3 shelves and bottom rack per door).

Part No.	Description	List Price Per Door
66342W	Wine shelves	\$ 56.00

Shelving w/ Integral Dividers in Lieu of

Standard Shelves. (Includes 3 shelves per door.)

Part No.	Description	List Price Per Door
66342D	Shelves with dividers- (Specify Compartment)..	\$52.00

ACCESSORIES

Adjustable Legs

Part No.	Description	List Price
57933	Adjusts - 4" to 5"	\$105.00
57782	Adjusts - 6" to 7 ¹ / ₄ "	112.00

Legs and Baseplate Kit

Part No.	Description	List Price
66320P-60SS	6" Legs and stainless baseplates for front, back and ends	\$300.00
66320P-60SS-4	4" Legs and stainless baseplates for front, back and ends	\$290.00

Platform Base

Factory installed stainless steel platform base raises cabinet height to 37". Cannot be used with legs or baseplate.

Part No.	Description	List Price
63490-60SS	Platform base	\$140.00

Condensate Evapaway Kit*

Part No.	Description	List Price
63570	Condensate Evapaway	\$194.00

* Can be used only on cabinets with minimum 4" legs. Cannot use with baseplate kits.

Clamp on shelf divider

Part No.	Description	List Price
C5090-48	Shelves divider	\$49.00

Second Year Extended Parts and Labor Warranty

Refer to page 47 for warranty information.

Part No.	Description	Net Price
730	Second year extended parts and labor warranty\$130.00

Sliding Glass Doors/*Beer Dispensing Kits

NOTE: Refer to page 34 for ordering information

* Dispensing kits are not offered as a standard option on 2 door pass thru cabinets.



CUSTOM SERIES PASS-THRU CABINETS with SELF CONTAINED REFRIGERATION

THREE DOORS ON EACH SIDE

(84" Long x 26³/₄" Deep x 34¹/₂" High)

Top, ends and interior are stainless steel. Includes interior lights, door locks, three vinyl coated shelves per compartment. Comes with 5 year compressor and 1 year parts & labor warranty.

List Part No.	Case Price	Capacity	Amps	Ship Wt. H.P.	(lbs.)
PS84	\$7,583.00	20.4	7.8	1/3	490

BASE CABINET OPTIONS

Please list your choice of cabinet tops and door styles from the following options.

Top Finish

For laminated tops please provide your laminate choice by indicating the manufacturer's name and the number and description of the laminate.

Part No.	Description	List Price
L	Laminated	\$655.00

Locking Rail Finish (Please specify)

Part No.	Description	List Price
S	Stainless	N/C
B	Black	N/C

Condensing Unit Cover Finish

Part No.	Description	List Price
B	Black (two required)	N/C
S	Stainless (two required)	\$36.00
L	Laminated to match doors (two required)	\$162.00

Door Finish

Specify the door style by listing the part number and description for each door, starting from left to right on the cabinet front then left to right on the cabinet back. The condensing unit is on the left side of the front and on the right side of the back of the cabinet. Also indicate right or left hinging for each door. For laminated doors please provide your choice of laminate by indicating the manufacturer's name and the number and description of the laminate.

Part No.	Description	List Price Per Door
B	Black vinyl clad	N/C
L	Laminated	\$144.00
P	Painted in color of choice	144.00
F	Field laminated	100.00
S	Stainless	54.00
X	Laminated over black	214.00
U	Laminated over stainless	268.00
G	Glass w/blk. frame	187.00
T	Glass w/ SS frame	241.00
A	Glass w/lam. (over black frame)	401.00
W	Glass w/lam. (over stainless steel frame)	455.00

Note: For 230V/50HZ/1, add \$135.00 list each.

Door Handles

Optional handles in lieu of standard full length handle.

Part No.	Description	List Price Per Door
C31049-1	Classic SS 6" handle w/ black vinyl grip	\$ N/C
65609-2	Top mounted SS pull handle	\$ N/C

Polished Brass Hardware

Provides polished brass door handle and lock in lieu of chrome plated.

Part No.	Description	List Price Per Door
PBH	Classic handle	\$41.00
PBH1	Full length handle	70.00



PS84 w/ stainless exterior 2 glass doors, optional 6" handles and optional leg set.

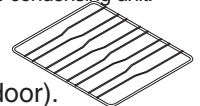
Finish Ends Specify Left or right end.

Part No.	Description	List Price
66326E	Laminated end	\$182.00
66359-1SS*	Stainless end	\$212.00

*Note: If required to cover access holes on ends opposite condensing unit.

Wine Shelves

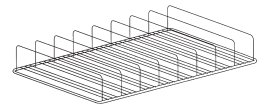
Wine shelves in lieu of standard shelves, (includes 3 shelves and bottom rack per door).



Part No.	Description	List Price Per Door
66342W	Wine shelves	\$ 56.00

Shelving w/ Integral Dividers in Lieu of Standard Shelves. (Includes 3 shelves per door.)

Part No.	Description	List Price Per Door
66342D	Shelves with dividers- (Specify Compartment)..	\$52.00



ACCESSORIES

Adjustable Legs

Part No.	Description	List Price
57933	Adjusts - 4" to 5"	\$105.00
57782	Adjusts - 6" to 7 ¹ / ₄ "	112.00

Legs and Baseplate Kit

Part No.	Description	List Price
66320P-84SS	6" Legs and stainless baseplates for front, back and ends	\$350.00
66320P-84SS-4	4" Legs and stainless baseplates for front, back and ends	\$340.00

Platform Base

Factory installed stainless steel platform base raises cabinet height to 37". Cannot be used with legs or baseplate.

Part No.	Description	List Price
63490-84SS	Platform base	\$159.00

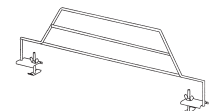
Condensate Evapaway Kit*

Part No.	Description	List Price
63570	Condensate Evapaway	\$194.00

* Can be used only on cabinets with minimum 4" legs. Cannot use with baseplate kits.

Clamp on shelf divider

Part No.	Description	List Price
C5090-48	Shelves divider	\$49.00



Second Year Extended Parts and Labor Warranty

Refer to page 47 for warranty information.

Part No.	Description	Net Price
730	Second year extended parts and labor warranty\$130.00

Beer Dispensing Kits

Dispensing kits for 3 door self-contained pass thru cabinets are only installed in the end compartment on the opposite side of the condensing unit.

Refer to page 34 for more ordering information.

CUSTOM SERIES PASS-THRU CABINETS with REMOTE REFRIGERATION

TWO DOORS ON EACH SIDE (48" Long x 26³/₄" Deep x 34¹/₂" High)

Top, ends and interior are stainless steel. Includes interior lights, door locks, three vinyl coated shelves per compartment, and factory installed expansion valve. Comes with 1 year parts & labor warranty.

Part No.	List Price	Case Capacity	Amps	BTU/HR	Ship Wt. (lbs.)
PR48	\$4,260.00	12.9	1.1	1800	310

BASE CABINET OPTIONS

Please list your choice of cabinet tops and door styles from the following options.

Top Finish

For laminated tops please provide your laminate choice by indicating the manufacturer's name and the number and description of the laminate.

Part No.	Description	List Price
L	Laminated	\$421.00

Locking Rail Finish (Please specify)

Part No.	Description	List Price
S	Stainless	N/C
B	Black	N/C

Door Finish

Specify the door style by listing the part number and description for each door, starting from left to right on one side of the cabinet then left to right on other side of the cabinet. Also indicate right or left hinging for each door. For laminated doors please provide your choice of laminate by indicating the manufacturer's name and the number and description of the laminate.

Part No.	Description	List Price Per Door
B	Black vinyl clad	N/C
L	Laminated	\$144.00
P	Painted in color of choice	144.00
F	Field laminated	100.00
S	Stainless	54.00
X	Laminated over black	214.00
U	Laminated over stainless	268.00
G	Glass w/blk. frame	187.00
T	Glass w/ SS frame	241.00
A	Glass w/lam. (over black frame)	401.00
W	Glass w/lam. (over stainless steel frame)	455.00

Note: For 230V/50HZ/1, add \$135.00 list each.

Door Handles

Optional handles in lieu of standard full length handle.

Part No.	Description	List Price Per Door
C31049-1	Classic SS 6" handle w/ black vinyl grip	\$ N/C
65609-2	Top mounted SS pull handle	\$ N/C

Polished Brass Hardware

Provides polished brass door handle and lock in lieu of chrome plated.

Part No.	Description	List Price Per Door
PBH	Classic handle	\$41.00
PBH1	Full length handle	70.00



PR48
w/ stainless exterior,
glass doors and optional
leg set.

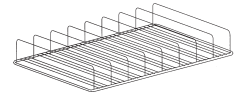
Finish Ends Specify Left or right end.

Part No.	Description	List Price
66326E	Laminated end	\$182.00
66359-1SS*	Stainless end	\$212.00

*Note: If required to cover access holes.

Shelving w/ Integral Dividers in Lieu of Standard Shelves. (Includes 3 shelves per door.)

Part No.	Description	List Price Per Door
66342	Shelves with dividers- (Specify Compartment)	\$52.00



ACCESSORIES

Adjustable Legs

Part No.	Description	List Price
57933	Adjusts - 4" to 5"	\$105.00
57782	Adjusts - 6" to 7 ¹ / ₄ "	112.00

Legs and Baseplate Kit

Part No.	Description	List Price
66320P-48SS	6" Legs and stainless baseplates for front, back and ends	\$280.00
66320P-48SS-4	4" Legs and stainless baseplates for front, back and ends	\$270.00

Platform Base

Factory installed stainless steel platform base raises cabinet height to 37". Cannot be used with legs or baseplate.

Part No.	Description	List Price
63490-48SS	Platform base	\$180.00

R-22 Condensing Unit Assembly

Part No.	Description	Ship Wt.	List Price
C26P-22	1/4 H.P. for 2 door unit	53	\$999.00

Refrigerant

Expansion valves are installed on the cabinet specific to the refrigerant used. Select appropriate refrigerant.

Part No.	Description	List Price
R22	Refrigerant	N/C
404A	Refrigerant	N/C

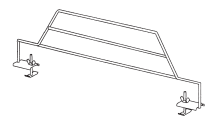
Condensate Evapaway Kit*

Part No.	Description	List Price
63570	Condensate Evapaway	\$194.00

* Can be used only on cabinets with minimum 4" legs. Cannot use with baseplate kits.

Clamp on shelf divider

Part No.	Description	List Price
C5090-48	Shelves divider	\$49.00



Sliding Glass Doors/*Beer Dispensing Kits

NOTE: Refer to page 34 for ordering information

* Dispensing kits are not offered as a standard option on 2 door pass thru cabinets.

CUSTOM SERIES PASS-THRU CABINETS with REMOTE REFRIGERATION

THREE DOORS ON EACH SIDE (72" Long x 26³/₄" Deep x 34¹/₂" High)

Top, ends and interior are stainless steel. Includes interior lights, door locks, three vinyl coated shelves per compartment and factory installed expansion valve. Comes with 1 year parts & labor warranty.

Part No.	List Price	Case Capacity	Amps	BTU/HR	Ship Wt. (lbs.)
PR72	\$5,509.00	20.4	1.1	2200	400

BASE CABINET OPTIONS

Please list your choice of cabinet tops and door styles from the following options.

Top Finish

For laminated tops please provide your laminate choice by indicating the manufacturer's name and the number and description of the laminate.

Part No.	Description	List Price
L	Laminated	\$570.00

Locking Rail Finish (Please specify)

Part No.	Description	List Price
S	Stainless	N/C
B	Black	N/C

Door Finish

Specify the door style by listing the part number and description for each door, starting from left to right on one side of the cabinet front then left to right on the other side of the cabinet. Also indicate right or left hinging for each door. For laminated doors please provide your choice of laminate by indicating the manufacturer's name and the number and description of the laminate.

Part No.	Description	List Price Per Door
B	Black vinyl clad	N/C
L	Laminated	\$144.00
P	Painted in color of choice	144.00
F	Field laminated	100.00
S	Stainless	54.00
X	Laminated over black	214.00
U	Laminated over stainless	268.00
G	Glass w/blk. frame	187.00
T	Glass w/ SS frame	241.00
A	Glass w/lam. (over black frame)	401.00
W	Glass w/lam. (over stainless steel frame)	455.00

Note: For 230V/50HZ/1, add \$135.00 list each.

Door Handles

Optional handles in lieu of standard full length handle.

Part No.	Description	List Price Per Door
C31049-1	Classic SS 6" handle w/ black vinyl grip	\$ N/C
65609-2	Top mounted SS pull handle	\$ N/C

Polished Brass Hardware

Provides polished brass door handle and lock in lieu of chrome plated.

Part No.	Description	List Price Per Door
PBH	Classic handle	\$41.00
PBH1	Full length handle	70.00

Finish Ends Specify Left or right end.

Part No.	Description	List Price
66326E	Laminated end	\$182.00
66359-1SS*	Stainless end	\$212.00

*Note: If required to cover access holes.

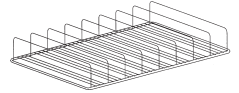


PR72
w/ stainless
exterior 2 glass doors, optional classic
6" handles and optional leg set.

Shelving w/ Integral Dividers in Lieu of

Standard Shelves. (Includes 3 shelves per door.)

Part No.	Description	List Price Per Door
66342	Shelves with dividers- (Specify Compartment)..	\$52.00



ACCESSORIES Adjustable Legs

Part No.	Description	List Price
57933	Adjusts - 4" to 5"	\$105.00
57782	Adjusts - 6" to 7 ¹ / ₄ "	112.00

Legs and Baseplate Kit

Part No.	Description	List Price
66320P-72SS	6" Legs and stainless baseplates for front, back and ends	\$325.00
66320P-72SS-4	4" Legs and stainless baseplates for front, back and ends	\$315.00

Platform Base

Factory installed stainless steel platform base raises cabinet height to 37". Cannot be used with legs or baseplate.

Part No.	Description	List Price
63490-72SS	Platform base	\$200.00

R-22 Condensing Unit Assembly

Part No.	Description	Ship Wt.	List Price
C27P-22	1/3 H.P. for 3 door unit	67	\$1,146.00

Refrigerant

Expansion valves are installed on the cabinet specific to the refrigerant used. Select appropriate refrigerant.

Part No.	Description	List Price
R22	Refrigerant	N/C
404A	Refrigerant	N/C

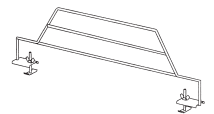
Condensate Evapaway Kit*

Part No.	Description	List Price
63570	Condensate Evapaway	\$194.00

* Can be used only on cabinets with minimum 4" legs. Cannot use with baseplate kits.

Clamp on shelf divider

Part No.	Description	List Price
C5090-48	Shelves divider	\$49.00



Beer Dispensing Kits

Dispensing kits for three door remote pass-thru cabinets are installed only in end compartments. When ordering please furnish planview drawing with dispensing compartment location and hinging.

Refer to page 34 for more ordering information.

CUSTOM SERIES CABINETS (NARROW DOOR) with SELF CONTAINED REFRIGERATION

TWO DOOR (52" Long x 24³/₄" Deep x 34¹/₂" High)

Top, back, ends and interior are stainless steel. Includes interior lights, door locks, three vinyl coated shelves per door. Comes with 5 year compressor and 1 year parts & labor warranty.

Part No.	List Price	Case Capacity	Amps	H.P.	Ship Wt. (lbs.)
NS52.....	\$4,593.00	12.9	5.5	1/4	340

BASE CABINET OPTIONS

Please list your choice of cabinet finishes and door styles from the following options.

Locking Rail Finish (Please specify)

Part No.	Description	List Price
S.....	Stainless.....	N/C
B.....	Black.....	N/C

Condensing Unit Location

Part No.	Description	List Price
R.....	Condensing unit right.....	N/C
L.....	Condensing unit left.....	N/C

Condensing Unit Cover Finish

Part No.	Description	List Price
B.....	Black.....	N/C
S.....	Stainless.....	\$36.00

Door Finish

Specify the door style beginning from left to right by listing the part number and description of each door and indicate left or right hinging.

Part No.	Description	List Price Per Door
B.....	Black vinyl clad.....	N/C
P.....	Painted in color of choice.....	\$ 144.00
S.....	Stainless.....	54.00
G.....	Glass w/blk. frame.....	187.00
T.....	Glass w/ SS frame.....	241.00

Door Handles

Optional handles in lieu of standard full length handle.

Part No.	Description	List Price Per Door
C31049-1.....	Classic SS 6" handle w/ black vinyl grip.....	\$ N/C
65609-2.....	Top mounted SS pull handle.....	\$ N/C

Polished Brass Hardware

Provides polished brass door handle and lock in lieu of chrome plated.

Part No.	Description	List Price Per Door
PBH.....	Classic handle.....	\$41.00
PBH1.....	Full length handle.....	70.00

Finish Ends Specify Left or right end.

Part No.	Description	List Price
66359-1SS*.....	Stainless end.....	\$212.00

*Note: If required to cover access holes on ends opposite condensing unit.

Wine Temperature Conversion

Converts cabinet temperature range for red or white wine storage.

Part No.	Description	List Price
C12827WIN.....	Temp. control, wine cooler (installed).....	\$62.00

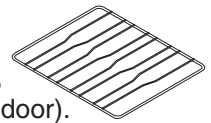


NS52 w/ stainless exterior, glass doors, optional pull handles and optional leg set.

Wine Shelves

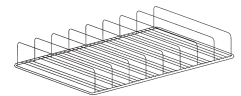
Wine shelves in lieu of standard shelves, (includes 3 shelves and bottom rack per door).

Part No.	Description	List Price Per Door
66342W.....	Wine shelves.....	\$ 56.00



Shelving w/ Integral Dividers in Lieu of Standard Shelves. (Includes 3 shelves per door.)

Part No.	Description	List Price Per Door
66342D.....	Shelves with dividers- (Specify Compartment).....	\$52.00



ACCESSORIES

Adjustable Legs or Caster Kits

Part No.	Description	List Price
57933.....	Legs, Adjusts - 4" to 5".....	\$105.00
57782.....	Legs, Adjusts - 6" to 7 ¹ / ₄ ".....	112.00
57786.....	Casters - 3 ³ / ₄ ".....	78.00
57784.....	Casters - 6 ¹ / ₈ ".....	127.00

Legs and Baseplate Kits

Part No.	Description	List Price
66320-52SS.....	6" Legs and stainless front baseplate.....	\$208.00
66320SS.....	6" Stainless end baseplate.....	77.00
66320-52SS-4.....	4" Legs and stainless front baseplate.....	195.00
66320SS-4.....	4" Stainless end baseplate.....	76.00

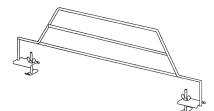
Platform Base

Factory installed stainless steel platform base raises cabinet height to 37". Cannot be used with legs or baseplate.

Part No.	Description	List Price
63490-52SS.....	Platform base.....	\$135.00

Clamp on shelf divider

Part No.	Description	List Price
C5090-48.....	Shelves divider.....	\$49.00



Second Year Extended Parts and Labor Warranty

Refer to page 47 for warranty information.

Part No.	Description	Net Price
730.....	Second year extended parts and labor warranty.....	\$130.00

CUSTOM SERIES CABINETS (NARROW DOOR) with SELF CONTAINED REFRIGERATION

THREE DOOR (72" Long x 24³/₄" Deep x 34¹/₂" High)

Top, back, ends and interior are stainless steel. Includes interior lights, door locks, three vinyl coated shelves per door. Comes with 5 year compressor and 1 year parts & labor warranty.

Part No.	List Price	Case Capacity	Amps	H.P.	Ship Wt. (lbs.)
NS72.....	\$5,579.00.....	20.4.....	8.1.....	1/3.....	440

BASE CABINET OPTIONS

Please list your choice of cabinet finishes and door styles from the following options.

Locking Rail Finish (Please specify)

Part No.	Description	List Price
S.....	Stainless.....	N/C
B.....	Black.....	N/C

Condensing Unit Location

Part No.	Description	List Price
R.....	Condensing unit right.....	N/C
L.....	Condensing unit left.....	N/C

Condensing Unit Cover Finish

Part No.	Description	List Price
B.....	Black.....	N/C
S.....	Stainless.....	\$36.00

Door Finish

Specify the door style beginning from left to right by listing the part number and description for each door and indicate left or right hinging.

Part No.	Description	List Price Per Door
B.....	Black vinyl clad.....	N/C
P.....	Painted in color of choice.....	\$ 144.00
S.....	Stainless.....	54.00
G.....	Glass w/blk. frame.....	187.00
T.....	Glass w/ SS frame.....	241.00

Door Handles

Optional handles in lieu of standard full length handle.

Part No.	Description	List Price Per Door
C31049-1.....	Classic SS 6" handle w/ black vinyl grip.....	\$ N/C
65609-2.....	Top mounted SS pull handle.....	\$ N/C

Polished Brass Hardware

Provides polished brass door handle and lock in lieu of chrome plated.

Part No.	Description	List Price Per Door
PBH.....	Classic handle.....	\$41.00
PBH1.....	Full length handle.....	70.00

Finish Ends Specify Left or right end.

Part No.	Description	List Price
66359-1SS*.....	Stainless end.....	\$212.00

*Note: If required to cover access holes on ends opposite condensing unit.

Wine Temperature Conversion

Converts cabinet temperature range for red or white wine storage.

Part No.	Description	List Price
C12827WIN.....	Temp. control, wine cooler (installed).....	\$62.00



NS72 w/ Stainless exterior
2 glass doors, standard full length handles and optional leg set.

Wine Shelves*

Wine shelves in lieu of standard shelves, (includes 3 shelves and bottom rack per door).

Part No.	Description	List Price Per Door
66342W.....	Wine shelves.....	\$ 56.00

*Note: Can only be used in end compartment.

Shelving w/ Integral Dividers in Lieu of Standard Shelves. (Includes 3 shelves per door.)

Part No.	Description	List Price Per Door
66342D.....	Shelves with dividers- (Specify Compartment).....	\$52.00

ACCESSORIES

Adjustable Legs or Caster Kits

Part No.	Description	List Price
57933.....	Legs, Adjusts - 4" to 5".....	\$105.00
57782.....	Legs, Adjusts - 6" to 7 ¹ / ₄ ".....	112.00
57786.....	Castors - 3 ³ / ₄ ".....	78.00
57784.....	Castors - 6 ¹ / ₈ ".....	127.00

Legs and Baseplate Kits

Part No.	Description	List Price
66320-72SS.....	6" Legs and stainless front baseplate.....	\$220.00
66320SS.....	6" Stainless end baseplate.....	77.00
66320-72SS-4.....	4" Legs and stainless front baseplate.....	210.00
66320SS-4.....	4" Stainless end baseplate.....	76.00

Platform Base

Factory installed stainless steel platform base raises cabinet height to 37". Cannot be used with legs or baseplate.

Part No.	Description	List Price
63490-72SS.....	Platform base.....	\$149.00

Clamp on shelf divider

Part No.	Description	List Price
C5090-48.....	Shelves divider.....	\$49.00

Second Year Extended Parts and Labor Warranty

Refer to page 47 for warranty information.

Part No.	Description	Net Price
730.....	Second year extended parts and labor warranty.....	\$130.00

SLIDING GLASS DOORS FOR CUSTOM SERIES CABINETS

Sliding Glass Doors are available as an option in lieu of the standard door finishes on 2 door and 4 door models only. Not available on (NS) narrow door models.

Part No.	Description	List Price Per Set
SGD-BK	Set of doors (2) with black trim	\$639.00
SGD-SS	Set of doors (2) with stainless steel trim	771.00

Note: Two sets required for four door cabinet.

Note: cabinet must be mounted on platform base, legs or casters!



DRAFT BEER DISPENSING KITS FOR CUSTOM SERIES CABINETS*

Each compartment of a BS/BR series cabinet can be converted to a dispenser for draft beer. Cabinets converted to draft beer are not approved for ANSI/NSF #7 for open food storage. They are however NSF approved for package goods storage. Compartments specified for draft beer dispensing will be furnished less shelves, but will be equipped with a safety relief valve and shut off valve(s) for the gas system. All holes necessary to install a dispensing station will be predrilled. Please indicate the location of the dispensing head and the location of the storage compartments. Compartments designated for draft beer will not have a light installed over the door. Bar drainers are furnished with 25 feet of 1/2" I.D. flexible drain line.

*Cabinets used for use as a draft beer dispenser are custom made and cannot be returned for credit.

NOTE: Dispensing Kits cannot be used on Dual Zone cabinets.

Part No.	Dispensing Head Style	No. of Faucets	Finish	List Price
C5485-1	Draft Arm	1	Chrome	\$ 680.00
C5485-1TF	Draft Arm	1	Tarnish-Free Brass	1,050.00
C5485-2	Draft Arm	2	Chrome	890.00
C5485-2TF	Draft Arm	2	Tarnish-Free Brass	1,339.00
C5485-7	Tee Tower	2	Stainless	932.00
C5485-7TF	Tee Tower	2	Tarnish-Free Brass	1,339.00
C5485-8	Tee Tower	3	Stainless	1,087.00
C5485-8TF	Tee Tower	3	Tarnish-Free Brass	1,552.00
C5485-9	Tee Tower	4	Stainless	1,302.00
C5485-9TF	Tee Tower	4	Tarnish-Free Brass	1,855.00
C5485-10	Tee Tower	5	Stainless	1,533.00
C5485-10TF	Tee Tower	5	Tarnish-Free Brass	2,044.00
C5485-12	Napoli	2	Chrome	1,378.00
C5485-12TF	Napoli	2	Tarnish-Free Brass	1,772.00
C5485-13TF	Firenza	1	Marble w/Tarnish-Free Brass collar	1,608.00
C5485-14TF	Firenza	2	Marble w/Tarnish-Free Brass collar	1,794.00
C5485-L1	Lucky	1	Chrome	945.00
C5485-L1G	Lucky	1	Gold	1,109.00
C5485-L2	Lucky	2	Chrome	1,198.00
C5485-L2G	Lucky	2	Gold	1,349.00
C5485-P3	Panther	3	Chrome	1,637.00
C5485-P3G	Panther	3	Gold	1,773.00



Draft Arm



Tee Tower



Napoli



Firenza



Lucky



Panther

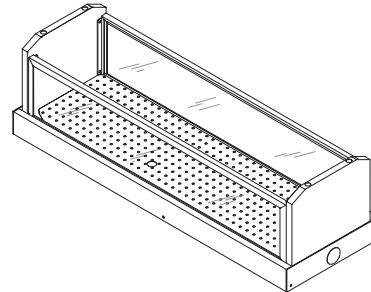
GLASS MERCHANDISE DISPLAY FOR CUSTOM SERIES CABINETS

Stainless steel construction with insulated drip pan and end panels. Framed double pane tempered glass. The Glass Merchandise Display unit can be mounted to a Custom Back Bar top or any other flat surface. A dual drain system allows for a bottom or side connection.

Note: Glass merchandise displays are custom made and cannot be returned for credit.

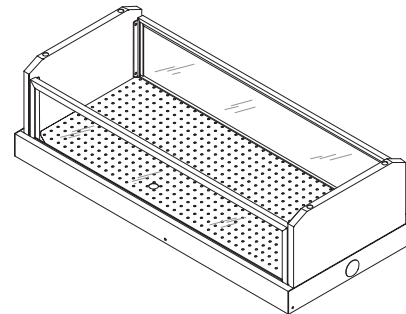
14" Deep Glass Merchandise Displays

Part No.	Overall Length	Bottle Capacity*	Ship Wt. (lbs.)	List Price
GMDS14X24	24"	32	60	\$ 1,313.00
GMDS14X30	30"	44	65	\$ 1,370.00
GMDS14X36	36"	52	70	\$ 1,425.00
GMDS14X42	42"	62	75	\$ 1,480.00
GMDS14X48	48"	72	80	\$ 1,536.00
GMDS14X54	54"	80	85	\$ 1,591.00
GMDS14X60	60"	88	90	\$ 2,120.00
GMDS14X66	66"	96	95	\$ 2,196.00
GMDS14X72	72"	104	100	\$ 2,270.00



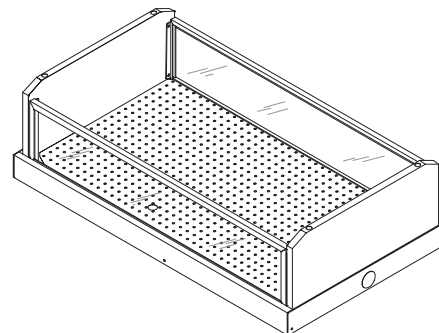
19" Deep Glass Merchandise Displays

Part No.	Overall Length	Bottle Capacity*	Ship Wt. (lbs.)	List Price
GMDS19X24	24"	48	70	\$ 1,405.00
GMDS19X30	30"	66	75	\$ 1,460.00
GMDS19X36	36"	78	80	\$ 1,513.00
GMDS19X42	42"	93	85	\$ 1,569.00
GMDS19X48	48"	108	90	\$ 1,621.00
GMDS19X54	54"	120	95	\$ 1,676.00
GMDS19X60	60"	132	100	\$ 2,191.00
GMDS19X66	66"	144	105	\$ 2,265.00
GMDS19X72	72"	156	110	\$ 2,338.00



24" Deep Glass Merchandise Displays

Part No.	Overall Length	Bottle Capacity*	Ship Wt. (lbs.)	List Price
GMDS24X24	24"	64	75	\$ 1,533.00
GMDS24X30	30"	88	80	\$ 1,588.00
GMDS24X36	36"	104	85	\$ 1,641.00
GMDS24X42	42"	124	90	\$ 1,694.00
GMDS24X48	48"	144	95	\$ 1,749.00
GMDS24X54	54"	160	100	\$ 1,803.00
GMDS24X60	60"	176	110	\$ 2,318.00
GMDS24X66	66"	192	115	\$ 2,391.00
GMDS24X72	72"	208	120	\$ 2,465.00



* Bottle capacity estimate based on 12 oz. domestic beer bottle.
NOTE: Displays 60" and longer include center partition.

Accessory

For bottom drain applications, a 2" diameter hole can be factory drilled over the end of the cabinet. Specify location over condensing unit housing.

Part No.	Description	List Price
GMDS-DH	..Drain hole, factory installed	\$115.00
1390D1/2" I.D. vinyl drain tube (per ft.) Anti-Microbial	1.26

BACK BAR COOLERS - with Self-Contained Refrigeration

Top, ends and back are stainless steel. Doors and condensing unit cover are black or stainless steel. Interior walls are galvanized steel. Includes door locks, three vinyl coated shelves per door and a 5 year compressor and 1 year parts & labor warranty.

Two Door - Length: 60"

Black Finish		Stainless Finish		Door		Ship Wt.
Part No.	List Price	Part No.	List Price	Type	Amps	H.P. (lbs.)
CS60SB	\$4,278.00	CS60SS	\$4,384.00	Solid	5.9	1/4 380
CS60SG	4,647.00	CS60ST	4,755.00	Glass	5.9	1/4 380

Three Door - Length: 84"

Black Finish		Stainless Finish		Door		Ship Wt.
Part No.	List Price	Part No.	List Price	Type	Amps	H.P. (lbs.)
CS84SB	\$5,281.00	CS84SS	\$ 5,440.00	Solid	7.5	1/3 490
CS84SG	5,837.00	CS84ST	5,996.00	Glass	7.5	1/3 490

Four Door - Length: 108"

Black Finish		Stainless Finish		Door		Ship Wt.
Part No.	List Price	Part No.	List Price	Type	Amps	H.P. (lbs.)
CS108SB	\$6,387.00	CS108SS	\$6,599.00	Solid	7.5	1/3 630
CS108SG	7,128.00	CS108ST	7,341.00	Glass	7.5	1/3 630

ACCESSORIES

Leg and Front Baseplate Kits - Include stainless steel baseplate, mounting brackets and set of adjustable 5 3/4"-7 1/2" legs.

Part No.	Description	List Price
66320-60SS	For 2 door	\$208.00
66320-84SS	For 3 door	230.00
66320-108SS	For 4 door	300.00

End Baseplate - Includes stainless steel baseplate with mounting brackets.

Part No.	Description	List Price
66320SS	End baseplate	77.00

Leg or Caster Sets for One, Two and Three Door Cabinets

Part No.	Description	List Price
57933	Set of four, 4-5" adjustable legs	\$105.00
57782	Set of four, 5 3/4"-7 1/2" adjustable legs	112.00
57786	Set of four, 3 3/4" casters	78.00
57784	Set of four, 6 1/8" casters	127.00

Leg or Caster Sets for Four Door Cabinets

Part No.	Description	List Price
57934	Set of six, 4-5" adjustable legs	\$149.00
57783	Set of six, 6-7 1/4" adjustable legs	165.00
57787	Set of six, 3 3/4" casters	117.00
57785	Set of six, 6 1/8" casters	188.00

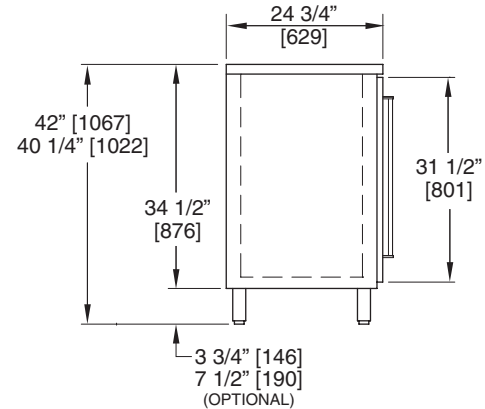
Second Year Extended Parts and Labor Warranty

Refer to page 47 for additional information.

Part No.	Description	Net Price
730	Second year extended parts and labor warranty	\$130.00



CS84SB w/ Optional Leg Set



ONE DOOR COOLER - 32" - with Self-Contained Refrigeration

Top, ends and back are stainless steel. Doors and condensing unit cover is black or stainless steel. Interior walls are galvanized steel. Includes door lock, three vinyl coated shelves and a 5 year compressor and 1 year parts & labor warranty.

One Door - Length: 32"

Part No.	List Price	Finish	Door Type	Amps	H.P.	Ship Wt. (lbs.)
CS32SB	\$2,776.00	Black	Solid	2.7	1/6	255
CS32SG	\$2,938.00	Black	Glass	2.7	1/6	255
CS32SS	\$2,857.00	Stainless	Solid	2.7	1/6	255
CS32ST	\$3,019.00	Stainless	Glass	2.7	1/6	255

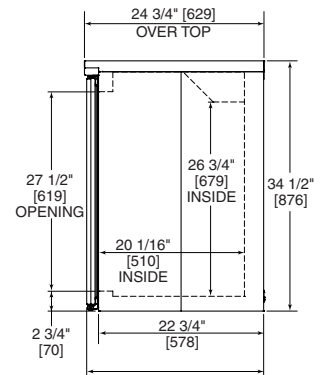
Second Year Extended Parts and Labor Warranty

Refer to page 46 for additional information.

Part No.	Description	Net Price
730	Second year extended parts and labor warranty	\$130.00



CS32SS



DIRECT DRAW BEER DISPENSERS

Top, back and ends are stainless steel. Doors and condensing unit cover are black or stainless steel. Includes chrome plated draft arm, balanced beverage lines, air distributors with shut-off valves, six foot power cord and a 5 year compressor and 1 year parts & labor warranty. 3/4" NPT drain exits out right end or 1" NPS out bottom.

Self-Contained Models

Two Keg - Length 60" with one dual faucet draft arm.

BLACK FINISH		STAINLESS FINISH		Amps	H.P.	Ship Wt. (lbs.)
Part No.	List Price	Part No.	List Price			
DS60B	\$4,566.00	DS60S	\$4,672.00	5.9	1/4	385

Three Keg - Length 72" with one dual faucet draft arm.

BLACK FINISH		STAINLESS FINISH		Amps	H.P.	Ship Wt. (lbs.)
Part No.	List Price	Part No.	List Price			
DS72B	\$4,827.00	DS72S	\$4,985.00	7.5	1/3	425

Four Keg - Length 84" with two single faucet draft arms.

BLACK FINISH		STAINLESS FINISH		Amps	H.P.	Ship Wt. (lbs.)
Part No.	List Price	Part No.	List Price			
DS84B	\$5,655.00	DS84S	\$5,867.00	7.5	1/3	500

ACCESSORIES

DISPENSING HEAD Options

To substitute other dispensing heads for that which is supplied, first deduct the appropriate dispensing head credit (\$347.00 for a single faucet and \$521.00 for a dual faucet) from the cabinet price, add an LT suffix to the part number and then list the part number(s) for the faucet head(s) selected.

Part No.	Style	No. of Faucets	List Price
63251	Draft Arm	1	\$ 347.00
63252	Draft Arm	2	521.00
63253	Draft Arm	3	799.00
63526-2TF	Napoli	2	1,481.00
63527-1TF	Firenza	1	1,279.00
63527-2TF	Firenza	2	1,489.00
63911-L1	Lucky (Chrome)	1	788.00
63911-L2	Lucky (Chrome)	2	1,035.00
63911-LG1	Lucky (Gold)	1	770.00
63911-LG2	Lucky (Gold)	2	972.00
63911-P3	Panther (Chrome)	3	1,534.00
63911-PG3	Panther (Gold)	3	1,563.00

Hole Cover Kit

If only one dispensing head is ordered to replace two heads credited on a four keg cabinet, a kit to cover the other hole is required.

Part No.	Description	List Price
43310	Hole cover kit	\$70.00

Shelf Kit - Field Installed - Behind Left Door Only

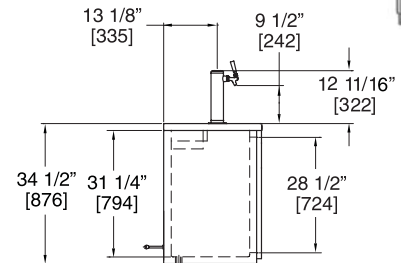
Part No.	Description	List Price
57834A	Four shelves for 2/3/4 keg cabinet	\$292.00

Keg Couplers

Part No.	Description	List Price
26000D	For single valve keg systems	\$66.25



DS60S
w/Optional
Leg Set



End View Direct Draw Dispenser



No.63527-2TF
Firenza Tower



No.63526-2TF
Napoli Tower



No.63911-L1
Lucky Tower



No.63911-P3
Panther Tower

Miscellaneous

Part No.	Description	List Price
43311	CO2 shut off valve kit	22.00
65494	CO2 regulator kit	137.00

Leg or Caster Sets for Two and Three Keg Cabinets

Part No.	Description	List Price
57933	Set of four, 4-5" adjustable legs	\$105.00
57782	Set of four, 5 3/4"-7 1/2" adjustable legs	112.00
57784	Set of four, 6 1/8" casters	127.00
57786	Set of four, 3 3/4" casters	78.00

Leg or Caster Sets for Four Keg Cabinets

Part No.	Description	List Price
57934	Set of six, 4-5" adjustable legs	\$149.00
57783	Set of six, 5 3/4"-7 1/2" adjustable legs	165.00
57785	Set of six, 6 1/8" casters	188.00
57787	Set of six, 3 3/4" casters	117.00

Second Year Extended Parts and Labor Warranty

Refer to page 47 for additional information.

Part No.	Description	Net Price
730	Second year extended parts and labor warranty	\$130.00

SINGLE KEG BEER DISPENSERS

Top, back and ends are stainless steel. Doors and condensing unit cover are black or stainless steel. Includes draft arm with faucet, plug-in cord, door lock and compartment for 5 lb. CO₂ cylinder. Interior is galvanized steel. Does not include CO₂ cylinder, regulator or tapping equipment. Casters and liquid waste bottle included on portable models only. Comes with 5 year compressor and 1 year parts and labor warranty.

Part No.	List Price	Description	Door/Grille	Length	Amps	H.P.	Ship Wt. (lbs.)
DP32S	\$2,864.00	Portable	SS	32"	2.7	1/6	222
DP32B	\$2,925.00	Portable	Black	32"	2.7	1/6	222
DS32S	\$2,792.00	Undercounter	SS	32"	2.7	1/6	216
DS32B	\$2,853.00	Undercounter	Black	32"	2.7	1/6	216

ACCESSORIES

Part No.	Description	List Price
65494	CO ₂ Regulator Kit	\$137.00
57806	5 lb. CO ₂ gas cylinder	227.00
57782	Set of four, 5 ³ / ₄ -7 ¹ / ₂ adjustable legs	112.00

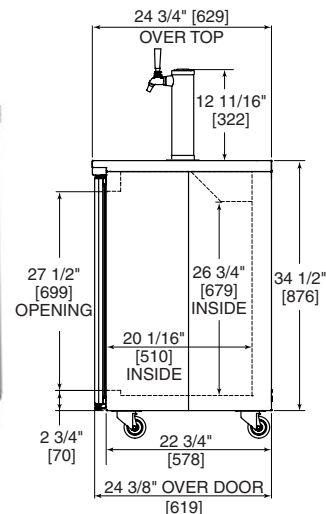
DISPENSING HEAD Options

To substitute other dispensing heads for that which is supplied, first deduct the appropriate dispensing head credit (\$347.00 for a single faucet) from the cabinet price, add an LT suffix to the part number and then list the part number for the faucet head selected.

Part No.	Style	No. of Faucets	List Price
63252	Draft Arm	2	\$ 521.00
63253	Draft Arm	3	799.00



DP32S



Part No.	Style	No. of Faucets	List Price
63526-2TF	Napoli	2	1,481.00
63527-1TF	Firenza	1	1,279.00
63527-2TF	Firenza	2	1,489.00

Second Year Extended Parts and Labor Warranty

Refer to page 46 for additional information.

Part No.	Description	Net Price
730	Second year extended parts and labor warranty	\$130.00

PORTABLE BEER DISPENSERS

Stainless steel finish with full stainless steel top and drainer. Include door locks, high-impact corner bumpers, casters and side cabinet access panel which conceals CO₂ drum (not included), regulator and liquid waste tank. Two and three keg models include one chrome plated dual faucet draft arm. Four keg model includes two single faucet draft arms. Comes with 5 year compressor and 1 year parts & labor warranty.

Part No.	List Price	Kegs	Length	Amps	H.P.	Ship Wt. (lbs.)
DC72S	\$6,019.00	2	72"	5.9	1/4	445
DC84S	6,649.00	3	84"	7.5	1/3	505
DC96S	7,452.00	4	96"	7.5	1/3	545

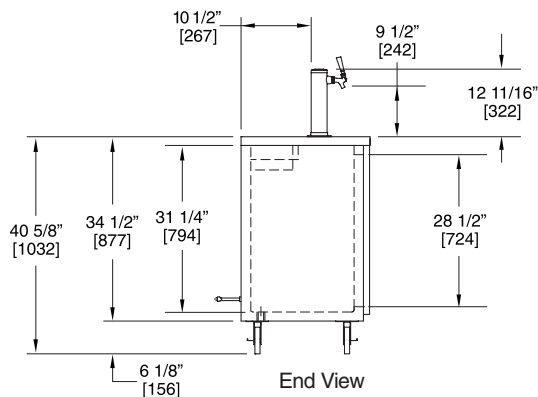
Second Year Extended Parts and Labor Warranty

Refer to page 47 for additional information.

Part No.	Description	Net Price
730	Second year extended parts and labor warranty	\$130.00



DC84S



SINGLE DOOR FREEZER - 24"

All models have stainless steel interior, include a push button overnight defrost system and come with a bottom floor rack and two adjustable shelves. Comes with 5 year compressor and 1 year parts and labor warranty.

Undercounter Freezer - 24" - St. St. Top and Ends

Part No.	List Price	Door Finish	HP	Amps	Ship Wt. (lbs.)
F24SB	\$3,240.00	Black	1/5	2.3	145
F24SS	\$3,240.00	Stainless Steel	1/5	2.3	145

Back Bar Freezer - 24" - Unfinished Top and Ends

Part No.	List Price	Door Finish	HP	Amps	Ship Wt. (lbs.)
F24NB	\$3,067.00	Black	1/5	2.3	145
F24NS	\$3,067.00	Stainless Steel	1/5	2.3	145



F24SS w/optional casters

See below for Dimensions.

SINGLE DOOR REFRIGERATOR - 24"

All models have stainless steel interior liner, two adjustable vinyl coated shelves and floor rack. Comes with 5 year compressor and 1 year parts and labor warranty.

Undercounter Refrigerator - 24" - St. St. Top and Ends

Part No.	List Price	Door Finish	HP	Amps	Ship Wt. (lbs.)
R24SB	\$2,890.00	Black	1/5	3.0	145
R24SS	\$2,890.00	Stainless Steel	1/5	3.0	145
R24SG	\$3,243.00	Glass/Black Trim	1/5	3.0	145
R24ST	\$3,243.00	Glass/St. St. Trim	1/5	3.0	145

Back Bar Refrigerator - 24" - Unfinished Top and Ends

Part No.	List Price	Door Finish	HP	Amps	Ship Wt. (lbs.)
R24NB	\$2,712.00	Black	1/5	3.0	145
R24NS	\$2,712.00	Stainless Steel	1/5	3.0	145
R24NG	\$3,066.00	Glass/Black Trim	1/5	3.0	145
R24NT	\$3,066.00	Glass/St. St. Trim	1/5	3.0	145



R24SS w/optional casters

ACCESSORIES (For Freezer & Refrigerator)

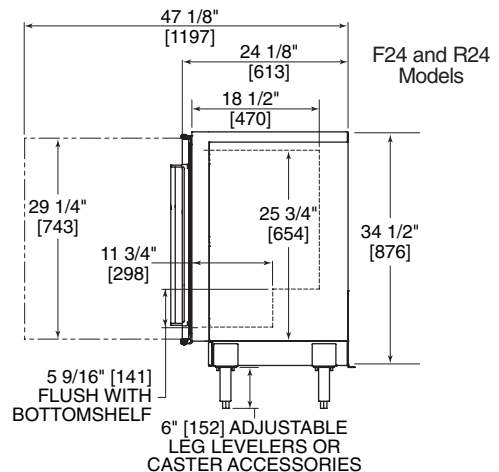
Legs and Casters

Part No.	Description	List Price
65616	Set of four adjustable legs 4"-5"	\$ 152.00
65423	Set of four adjustable legs 6"-7 1/4"	155.00
65426	Set of four 3 3/4" casters	128.00

Second Year Extended Parts and Labor Warranty

Refer to page 47 for additional information.

Part No.	Description	Net Price
730	Second year extended parts and labor warranty	\$130.00



SINGLE DOOR REFRIGERATOR - 24"

Single Door Refrigerator for Wine w/Pull out Wine Shelves

All models have stainless steel interior with four full extension pull out wine shelves, bottom wine rack and adjustable temperature control for wine storage. Comes with 5 year compressor and 1 year parts & labor warranty.



Under Counter Refrigerator - Stainless Steel Top & Ends

Part No.	List Price	Door Finish	HP	Amps	Ship Wt. (lbs.)
RW24SG	\$3,900.00	Glass/Black Trim	1/5	3.0	190
RW24ST	\$3,900.00	Glass/St. St. Trim	1/5	3.0	190

Back Bar Refrigerator - Stainless Steel Top & Ends

Part No.	List Price	Door Finish	HP	Amps	Ship Wt. (lbs.)
RW24NG	\$3,730.00	Glass/Black Trim	1/5	3.0	190
RW24NT	\$3,730.00	Glass/St. St. Trim	1/5	3.0	190



RW24NT

ACCESSORIES (For Freezer & Refrigerators)

Legs and Casters

Part No.	Description	List Price
65616.....	Set of four adjustable legs 4"-5".....	\$ 152.00
65423.....	Set of four adjustable legs 6"-7 1/4".....	155.00
65426.....	Set of four 3 3/4" casters.....	128.00

Second Year Extended Parts and Labor Warranty

Refer to page 47 for additional information.

Part No.	Description	Net Price
730.....	Second year extended parts and labor warranty	\$130.00

GLASS FROSTERS

Choose base cabinet and indicate exterior finish. All cabinets come with stainless steel interior, top and door(s). Then choose from accessory options below and add their price to price of base cabinet.

2 Foot Models – 1/3 H.P. compressor, 5.8 amps and 190 lb. shipping weight

Part No.	Description	List Price
FR24	Base 24"	\$ 2,825.00

EXTERIOR FINISH

Description	List Price
Black	N/C
Stainless Front and Sides	\$ 230.00
All Stainless	\$ 460.00

3 Foot Models – 1/3 H.P. compressor, 6.8 amps and 245 lb. shipping weight.

Part No.	Description	List Price
FR36	Base 36"	\$ 3,280.00

EXTERIOR FINISH

Description	List Price
Black	N/C
Stainless Front and Sides	\$ 265.00
All Stainless	\$ 560.00

4 Foot Models – 1/3 H.P. compressor, 6.2 amps and 265 lb. shipping weight.

Part No.	Description	List Price
FR48	Base 48"	\$ 3,610.00

EXTERIOR FINISH

Description	List Price
Black	N/C
Stainless Front and Sides	\$ 275.00
All Stainless	\$ 700.00

5 Foot Models – 1/3 H.P. compressor, 7.1 amps and 300 lb. shipping weight.

Part No.	Description	List Price
FR60	Base 60"	\$ 3,950.00

EXTERIOR FINISH

Description	List Price
Black	N/C
Stainless Front and Sides	\$ 337.00
All Stainless	\$ 837.00

ACCESSORIES

Two levels of nesting shelves with supporting brackets

Description	Glass Capacity	List Price
For 2' Models	90	\$ 70.00
For 3' Models	142	110.00
For 4' Models	214	140.00
For 5' Models	286	160.00

Additional level of nesting shelves with brackets

Description	Glass Capacity	List Price
For 3' Models	30	\$ 40.00
For 4' Models	59	60.00
For 5' Models	77	80.00

Roller baskets for one level with brackets

Description	No. of Baskets	List Price
For 4' and 5' Models	3	\$ 225.00

Additional roller baskets

Description	List Price
For 4' and 5' Models	\$ 75.00

Full length speedrail

Description	List Price
For 2' Models	\$ 162.00
For 3' Models	184.00
For 4' Models	208.00
For 5' Models	234.00

Additional Accessories

Description	List Price
Installed Light	\$ 90.00
Set of Four Adjustable Legs (6"-7 1/4")	112.00
Set of Four Adjustable Legs (4"-5")	105.00
Set of Four Casters (3 3/4")	78.00
Set of Four Rollers (1.7")	560.00

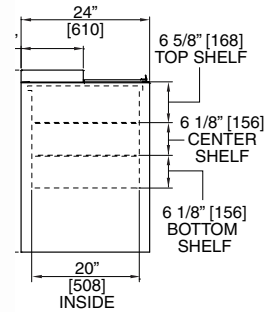
Second Year Extended Parts and Labor Warranty

Refer to page 46 for warranty information.

Part No.	Description	Net Price
730	Second year extended parts and labor warranty	\$130.00



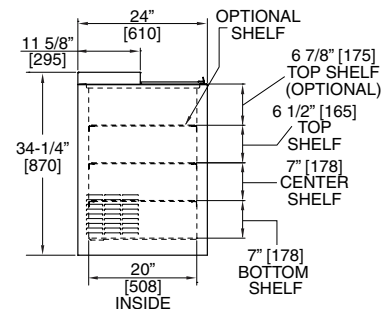
FR24 Stainless



End View For 2' Model



FR48 Stainless w/optional casters



End View For 3', 4', & 5' Models

FLAT TOP BOTTLE COOLERS

Choose base cabinet and indicate exterior finish. All cabinets come with stainless steel interior, top and door(s). Then choose from accessory options and add their price to price of base cabinet.

2 Foot Models – 7 case capacity, 1/5 H.P. compressor, 3.2 amps and 190 lb. shipping weight.

Part No.	Description	List Price
BC24	Base 24"	\$ 2,250.00

EXTERIOR FINISH

Part No.	Description	List Price
Black		N/C
Stainless Front and Sides		\$ 230.00
All Stainless		\$ 460.00

3 Foot Models – 16 case capacity, 1/5 H.P. compressor, 3.0 amps and 245 lb. shipping weight.

Part No.	Description	List Price
BC36	Base 36"	\$ 2,512.00

EXTERIOR FINISH

Part No.	Description	List Price
Black		N/C
Stainless Front and Sides		\$ 265.00
All Stainless		\$ 560.00

4 Foot Models – 25 case capacity, 1/4 H.P. compressor, 5.2 amps and 300 lb. shipping weight.

Part No.	Description	List Price
BC48	Base 48"	\$ 2,732.00

EXTERIOR FINISH

Part No.	Description	List Price
Black		N/C
Stainless Front and Sides		\$ 275.00
All Stainless		\$ 700.00

5 Foot Models – 30 case capacity, 1/3 H.P. compressor, 7.0 amps and 353 lb. shipping weight.

Part No.	Description	List Price
BC60	Base 60"	\$ 3,187.00

EXTERIOR FINISH

Part No.	Description	List Price
Black		N/C
Stainless Front and Sides		\$ 337.00
All Stainless		\$ 837.00

6 Foot Models – 36 case capacity, 1/3 H.P. compressor, 6.9 amps and 405 lb. shipping weight.

Part No.	Description	List Price
BC72	Base 72"	\$ 3,329.00

EXTERIOR FINISH

Part No.	Description	List Price
Black		N/C
Stainless Front and Sides		\$ 390.00
All Stainless		\$ 1,000.00

8 Foot Models – 58 case capacity, 1/3 H.P. compressor, 7.6 amps and 515 lb. shipping weight.

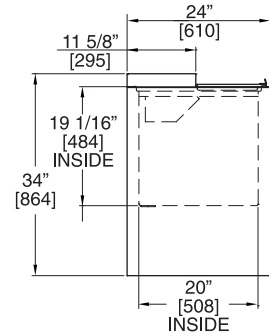
Part No.	Description	List Price
BC96	Base 96"	\$ 3,999.00

EXTERIOR FINISH

Part No.	Description	List Price
Black		N/C
Stainless Front and Sides		\$ 470.00
All Stainless		\$ 1,160.00



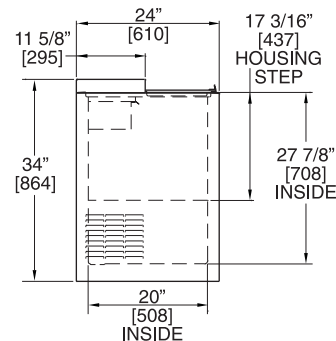
BC24 Stainless w/ optional opener, receiver & casters.



End View Flat Top Bottle Cooler 2' Model



BC72 Stainless w/ optional opener, receiver & casters.



End View Flat Top Bottle Cooler For 3', 4', 5', 6' & 8' Models

FLAT TOP BOTTLE COOLERS

Choose base cabinet and indicate exterior finish. All cabinets come with stainless steel interior, top and door(s). Then choose from accessory options below and add their price to price of base cabinet.

ACCESSORIES

Bin dividers with support brackets

Description	No. of dividers	List Price
For 2' Models.....	1	\$ 20.00
For 3' Models.....	2	40.00
For 4' Models.....	2	40.00
For 5' Models.....	3	60.00
For 6' Models.....	4	80.00
For 8' Models.....	6	120.00

Additional bin dividers

Description	List Price
For 2' Models.....	\$ 20.00
For 3' to 8' Models.....	20.00

Two levels of nesting shelves with brackets

Description	Glass Capacity	List Price
For 2' Models.....	90	\$ 70.00
For 3' Models.....	142	110.00
For 4' Models.....	214	140.00
For 5' Models.....	286	160.00
For 6' Models.....	343	190.00
For 8' Models.....	456	220.00

Additional levels of nesting shelves

Description	List Price
For 3' Models.....	\$ 40.00
For 4' Models.....	60.00
For 5' Models.....	80.00
For 6' Models.....	100.00
For 8' Models.....	120.00

Roller baskets for one level with brackets

Description	No. of Baskets	List Price
For 4' Models.....	3	\$ 225.00
For 5' Models.....	3	225.00
For 6' Models.....	6	450.00
For 8' Models.....	6	450.00

Additional roller basket

Description	List Price
For 4' - 8' Models.....	\$ 75.00

Temperature Options

Description	Temperature	List Price
Low-Temp.....	30°	\$ 500.00
for 4', 5' and 6' only.		
White Wine Temp.....	50°-55°	\$ 100.00
Red Wine Temp.....	60°-65°	\$ 100.00

Full length speed rail

Description	List Price
For 2' Models.....	\$ 162.00
For 3' Models.....	184.00
For 4' Models.....	208.00
For 5' Models.....	234.00
For 6' Models.....	256.00
For 8' Models.....	305.00

Door locks

Description	No. of Doors	List Price
For 2' and 3' Models.....	1	\$ 30.00
For 4', 5' and 6' Models.....	2	60.00
For 8' Models.....	3	90.00

Installed light

Description	List Price
Light.....	\$ 90.00

Set of Adjustable Legs (6"-7 1/4")

Description	List Price
For 2', 3', 4' and 5' Models.....	\$ 112.00
For 6' and 8' Models.....	\$ 165.00

Set of Adjustable Legs (4"-5")

Description	List Price
For 2', 3', 4' and 5' Models.....	\$ 105.00
For 6' and 8' Models.....	\$ 149.00

Set of Casters (3 3/4")

Description	List Price
For 2', 3', 4' and 5' Models.....	\$ 78.00
For 6' and 8' Models.....	\$ 117.00

Set of Rollers (1.7")

Description	List Price
For 2', 3', 4' and 5' Models.....	\$ 560.00
For 6' and 8' Models.....	\$ 833.00

Interior floor panels

Description	List Price
For 2' and 3' Models.....	\$ 34.00
For 4' Models.....	63.00
For 5' Models.....	77.00
For 6' Models.....	94.00
For 8' Models.....	110.00

Bottle opener and receiver

Description	List Price
Factory Installed.....	\$ 70.00

Second Year Extended Parts and Labor Warranty

Refer to page 46 for additional information.

Part No.	Description	List Price
730.....	Second year extended parts and labor warranty	\$ 130.00

GLASSWASHERS

Glass Handling Station

Includes PKBR24 Glasswasher with 2 glass racks, a glass preparation cabinet with sink, hose faucet and two glass racks, and a glass storage cabinet with four additional glass racks. Comes with 1 year parts and labor warranty.

Part No.	List Price	Description	Ship Wt. (lbs.)
GHS72	\$15,622.00	Glass Handling Station	402



Glasswashers

Part No.	List Price	Length	Chemical Panel Location	Ship Wt. (lbs.)
PKBR24	\$10,871.00	24"	Front	225
PKBR24L	\$10,871.00	24"	Left	225
PKBR24R	\$10,871.00	24"	Right	225

NOTE: Includes plumbers hook-up kit (55021) consisting of 1/2" water hammer arrestor and 1/2" NPFT shut-off valve.

24" Glass Handling Cabinets for PKBR24 Glasswasher

Part No.	Description	List Price
7057-1	Glass prep cabinet	\$2,977.00
7057-2	Glass storage cabinet	1,774.00



PKBR24



7057-1



7057-2

Chemical Storage Cabinet (12"W X 24"D)

Stores chemicals in convenient pull-out water-tight pan.

Part No.	Description	List Price
7057-3	Storage cabinet with sink	\$1,386.00
7057-4	Storage cabinet without sink	591.00

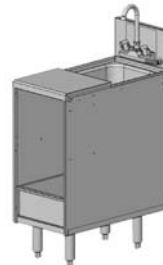
Accessories

Part No.	Description	List Price
50470-2	Glass rack for 24" glasswasher	114.00
61945	Kit, low sanitizer shutdown	216.00

Second Year Extended Parts and Labor Warranty

Refer to page 46 for additional information.

Part No.	Description	Net Price
730G	Second year extended parts and labor warranty	\$165.00



7057-3



7057-4

UTILITY COOLERS

Four Keg

With Self-Contained Refrigeration*

Part No.	List Price	Description	Ship Wt. (lbs.)
US4KP	\$7,852.00	With 1/3 h.p. Condensing Unit	700

NOTE: For left hinged door add suffix "L".
Lead time requires a minimum of six weeks.



Ten Keg

With Self-Contained Refrigeration*

Part No.	List Price	Description	Ship Wt. (lbs.)
US10KP	\$10,552.00	With 1/2 h.p. Condensing Unit	1150

NOTE: For left hinged door add suffix "L".
Lead time requires a minimum of six weeks.

OPTIONAL ACCESSORIES

Part No.	Description	List Price
8208-1	Keg shelf for four** keg utility cooler	\$593.00
61318	Keg shelf bridge kit for ten keg utility cooler*	299.00
7812	Oak floor rack for four keg cooler	175.00
61317	Oak floor rack for ten keg cooler	441.00

* Required when two keg shelves are placed end-to-end on the back wall.

** Two required for ten keg cooler.

Second Year Extended Parts and Labor Warranty

Refer to page 47 for additional information.

Part No.	Description	List Price
730	Second year extended parts and labor warranty	\$130.00

CENTURY REMOTE BEER SYSTEMS

When dispensed properly draft beer will generate huge profits for the operator. Perlick knows more about profitable draft beer dispensing than anyone else in the industry because we pay attention to detail. That's why it pays to choose a Century Beer System. Century has been the choice of smart operators for over 35 years.

The right pressure source, a properly-sized glycol chiller, and Century's unique trunk housing and dispensing heads combine to ensure that the Perlick Century Beer System will outperform any other long-draw beer system on the market today.

We're so sure you'll appreciate the difference that we guarantee your complete satisfaction. It's a guarantee you can count on, backed by Perlick's affiliation of over 80 years with the brewing industry.

Dispensing Heads

- Available in many different styles and finishes.
- New tarnish-free polished brass never needs polishing.
- From one to multiple faucets.
- Factory-balanced restrictors control flow to guarantee solid beer.
- Copper coolant lines and metal cold block maintain chilled beverage temperatures right to the faucet.
- Insulated with polyurethane foam.
- Optional shanks and faucets available.



TERMS AND CONDITIONS

The terms and conditions set forth below together with those appearing on the face of the Acknowledgement (the "Order") constitute the complete and exclusive agreement between Perlick Corporation and the Buyer pertaining to the goods and/or services identified in the Order. If there is a discrepancy or conflict between any exhibit or supplement to the Order and these terms and conditions, these terms and conditions shall control. The Order is intended by Seller and Buyer to be the complete, exclusive, and final statement of their agreement. Any changes to an Order must be in writing and signed by Perlick and Buyer.

TERMS NET 30 DAYS

Payment by Visa, MasterCard or Discover card accepted or cash in advance unless prior accommodations have been made with our Credit Department. Please direct inquiries for detailed information to our Credit Manager. All sales, excise, or similar taxes required by law to be collected or paid by seller shall be in addition to prices quoted unless an appropriate Tax Exemption certificate is furnished. All goods are sold F.O.B. factory. Except for otherwise provided, Perlick will not be responsible for freight, transportation, insurance, shipping, storage, handling, demurrage or similar charges. Invoices are payable in full in thirty (30) days following the invoice's date of issuance. If by the terms of sale credit is extended, Perlick reserves the right to revoke such credit if buyer fails to pay for any products when due and may demand payment prior to the commencement of any further shipment.

WAIVER

Any waiver of strict compliance with the provisions of an Order must be in writing. No such waiver shall be construed as a waiver of any other term or condition except as provided in writing, nor as a waiver of any subsequent breach of the same term or condition.

METHOD OF SHIPMENT

All shipments are carefully packed and labeled. Crates, boxes and cartons used are of approved weight and strength. Freight rates are based upon 100 pound minimum.

LOST and DAMAGED MERCHANDISE

THE RESPONSIBILITY OF THE PERLICK CORPORATION CEASES UPON ACCEPTANCE OF ITS PRODUCTS BY THE CARRIER. Any damage or loss sustained in shipment is the carrier's responsibility. Before giving the carrier a clean receipt at time of delivery, make sure you receive every item on the bill and inspect every carton, crate and box for concealed damage, i.e., broken boards, crushed or punctured cartons, torn cardboard. IF ANY ITEMS ARE SHORT OR DAMAGED, DO NOT ACCEPT THE SHIPMENT UNLESS THE CARRIER MAKES A NOTATION OF THIS ON YOUR FREIGHT BILL. Then request an inspection. Do not destroy the packing materials. If their agent does not make an inspection within five days, advise the carrier via letter that you notified them regarding the matter and they have failed to act. You will need this letter to support your claim. Then file a claim for your loss. When you give the carrier a clean receipt, you accept the total responsibility for the shipment. UPS shipments are insured individually and UPS will replace all merchandise that is lost or damaged.

RETURN OF MERCHANDISE

Do not return any merchandise without our approval. Merchandise returned without a return merchandise authorization number will not be accepted at Perlick. Used, discontinued, and certain custom made items cannot be returned for credit. These custom items include non-catalog products (specials) as well as custom assembled catalog products. Catalog items are designated as non-returnable on the price list page on which they appear. Items returned must be in new condition and packaged in their original carton or crate. Freight charges must be prepaid on all return shipments.

When a return is authorized, a credit may be allowed pending an examination of the returned goods. The amount of the restocking charge will depend on the condition of the equipment. The minimum restocking charge for glasswashers, bottle coolers, frosters, direct draws, cooler series back bars and accessory parts is 20%. The minimum restocking charge for custom series cabinets is 50%. The minimum restocking charge for unassembled, freestanding underbar stainless steel modules is 20%. Assembled underbar modules are considered custom products and are not returnable for credit. The restocking charge on the item returned is either a percentage of the value of the item or \$35.00, whichever is greater.

ONE YEAR PARTS WARRANTY

Perlick products are guaranteed against defects in both material and workmanship for a period of one year from date of sale. Defective parts will be replaced on a no-charge basis, F.O.B. our factory, when adjudged defective upon inspection. We are not responsible for parts damaged by alteration, unauthorized service, accident or abuse. All costs incident to replacement, to include freight, labor and/or loss of sales, must be borne by the user.

ONE YEAR LABOR WARRANTY

In addition to Perlick's one year parts warranty and five year compressor warranty, ALL PERLICK REFRIGERATION SYSTEMS are offered with a one year labor warranty at no extra charge. Perlick's one year labor warranty provides that Perlick will pay for the cost of any labor to replace any defective part for up to one year after installation, subject to the following terms and conditions:

- (A) Parts returned to Perlick shall be returned freight prepaid and shall be identified with Perlick's serial number and return authorization number.
- (B) Improper operation due to voltage variances, inadequate wiring and physical damage is the responsibility of the purchaser. They are not manufacturing defects.
- (C) Condenser coils shall be cleaned regularly. Failure to provide an adequate flow of cooling air will void this warranty.
- (D) Factory-specified maintenance and installation will be provided by the selling dealer who shall also be responsible for the installation and set-up of these products in accordance with local plumbing, refrigeration and electrical codes.

Perlick's one year labor policy applies to the United States and Canada. It does not apply to refrigeration systems added by others (remote systems) or any part which has been subject to misuse, neglect, alteration, accident, or to any damage caused by transportation, flood, fire or other acts of God.



SECOND YEAR EXTENDED PARTS & LABOR WARRANTY

Perlick’s 1 year parts and labor warranty can be extended to two years with the purchase of a two year parts and labor warranty. To obtain this protection, order as follows:

Part No.	Description	Net Price
730	Two year extended parts and labor warranty for Refrigeration products	\$130.00
730G	...Two year extended parts and labor warranty for Glasswashers.....	\$165.00

FOUR YEAR ADDITIONAL COMPRESSOR WARRANTY (Self Contained Units)

The Perlick Corporation will warrant to the original user the sealed-in mechanism consisting of the motor compressor and component parts within the sealed housing of the condensing unit for an additional period of four years following the regular one-year warrant period. This plan applies to the compressor only, installed within the United States and Canada.

Perlick’s 1 year parts labor/service policy applies to the United States and Canada. It does not apply to refrigeration systems added by others (remote systems) or any part which has been subject to misuse, neglect, alteration, accident, or to any damage caused by transportation, flood, fire or other acts of God.

Perlick’s 1 year parts & service/labor warranty provides that Perlick’s registration card be completed and mailed within ten days after the date of installation. Failure to reply promptly could void Perlick’s labor/service warranty.

EXPORT–1 Year Parts Only.

EXCLUSION OF WARRANTIES

EXCEPT AS PROVIDED ABOVE PERLICK MAKES NO WARRANTIES, EXPRESS OR IMPLIED, INCLUDING, BUT NOT LIMITED TO, ANY IMPLIED WARRANTY OF MERCHANTABILITY, FITNESS FOR A PARTICULAR PURPOSE OR NON INFRINGEMENT.

LIMITATION OF REMEDIES AND DAMAGES

If Buyer makes a valid and timely claim as outlined above, Perlick’s liability and Buyer’s remedies under this agreement will be limited solely to labor charges authorized and/or replacement or credit, at Perlick’s option, with respect to Products returned at Buyer’s expense within thirty (30) days after warranty repair. PERLICK’S LIABILITY WILL IN NO EVENT BE GREATER IN AMOUNT THAN THE PURCHASE PRICE OF THE RETURNED PRODUCTS. PERLICK WILL NOT BE LIABLE UNDER ANY CIRCUMSTANCE FOR CONSEQUENTIAL OR INCIDENTAL DAMAGES, INCLUDING, BUT NOT LIMITED TO, LABOR COSTS EXCEPT AS COVERED UNDER OUR WARRANTY, LOST PROFITS OR THE LOSS OF PERISHABLE PRODUCTS RESULTING FROM THE USE OF OR INABILITY TO USE OUR PRODUCTS OR FROM OUR PRODUCTS, INCORPORATION INTO OR BECOMING A COMPONENT OF ANY OTHER PRODUCT. NEITHER PARTY WILL HAVE ANY NEGLIGENCE OR OTHER TORT LIABILITY TO THE OTHER, OR TO ANY THIRD PARTY, ARISING FROM ANY BREACH OF THIS AGREEMENT.

GOVERNING LAW; JURISDICTION

The terms and conditions of an order are to be governed and construed according to the laws of the State of Wisconsin, without regard to conflict of laws principles. Buyer hereby consents to the jurisdiction and venue of the courts located in Milwaukee County, Wisconsin.

NOTE - Perlick is committed to continuous improvement. Therefore we reserve the right to change prices, specifications and policies without prior notice.



CORPORATE HEADQUARTERS
Perlick Corporation
8300 West Good Hope Road
Milwaukee, WI 53223

ADDRESS SERVICE REQUESTED